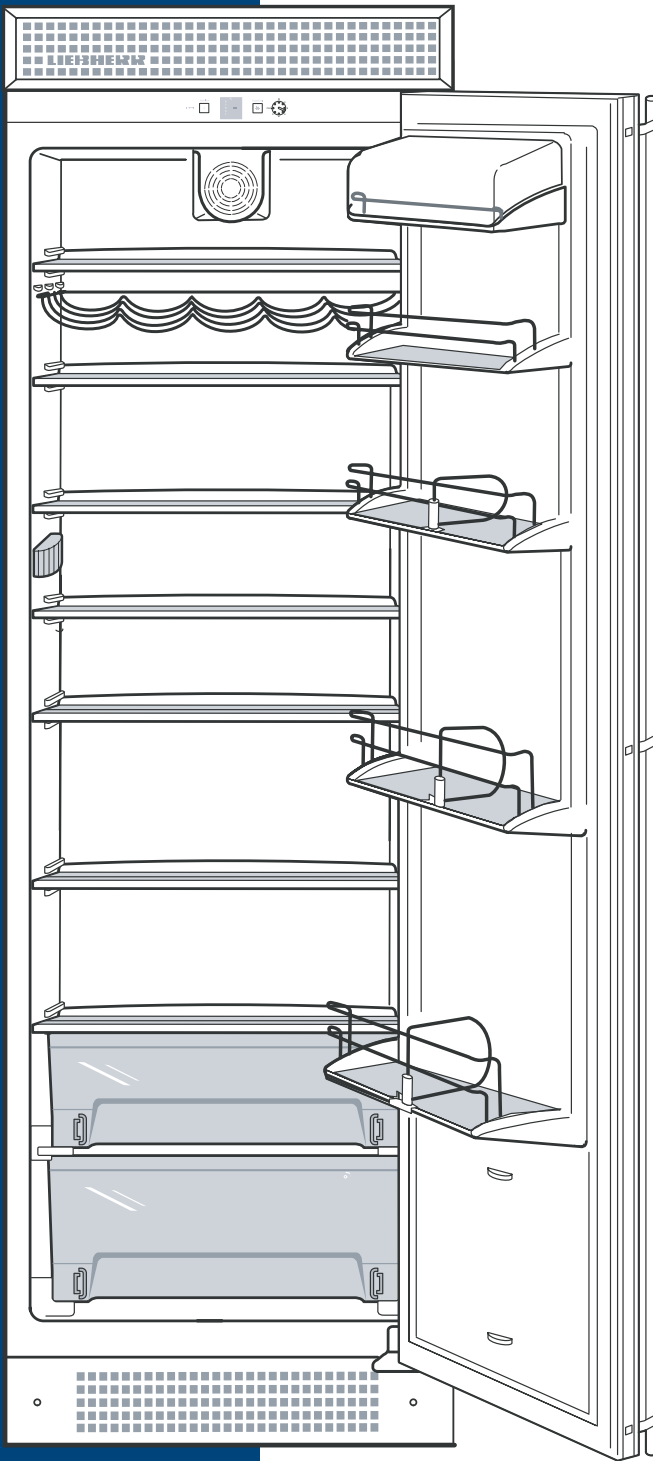


LIEBHERR



Use and Care Manual

For Built-in Refrigerators,
For Integrated Use

Manuel d'utilisation et d'entretien

Pour réfrigérateurs encastrés,
pour une utilisation intégrée

Manual de uso y cuidado

Para frigoríficos incorporados,
para uso integrado

R 1400

RI 1400

KE/es 4240 2804

7082 246-00

Congratulations on your purchase. Choosing this appliance means you want all the benefits of state-of-the-art refrigeration technology, guaranteeing you top quality, a long appliance life span and excellent reliability.

The features on your appliance have been designed to ensure maximum convenience - day in, day out.

This appliance has been manufactured with recyclable materials using an environmentally friendly process, so together we're making an active contribution to the preservation of our environment.

To get to know all the benefits of your new appliance, please read the information contained in these operating instructions carefully.

We know you will be pleased with your new appliance.

Additional benefits

- CFC-free
- Energy-optimized refrigerant circuit
- Energy-efficient insulation
- Low energy consumption

- User-friendly electronic controls
- Display of functions switched on
- Temperature can be controlled within climate rating range
- Refrigerator defrosts automatically - no need to spend time defrosting

- Big net refrigerator capacity
- Variable and practical features
- Safety-glass storage shelves
- Shelves can be removed to make space for large items

- Integrated transport grips on appliance housing
- Transport castors at back

- Easy to clean
- Door hinges can be changed over

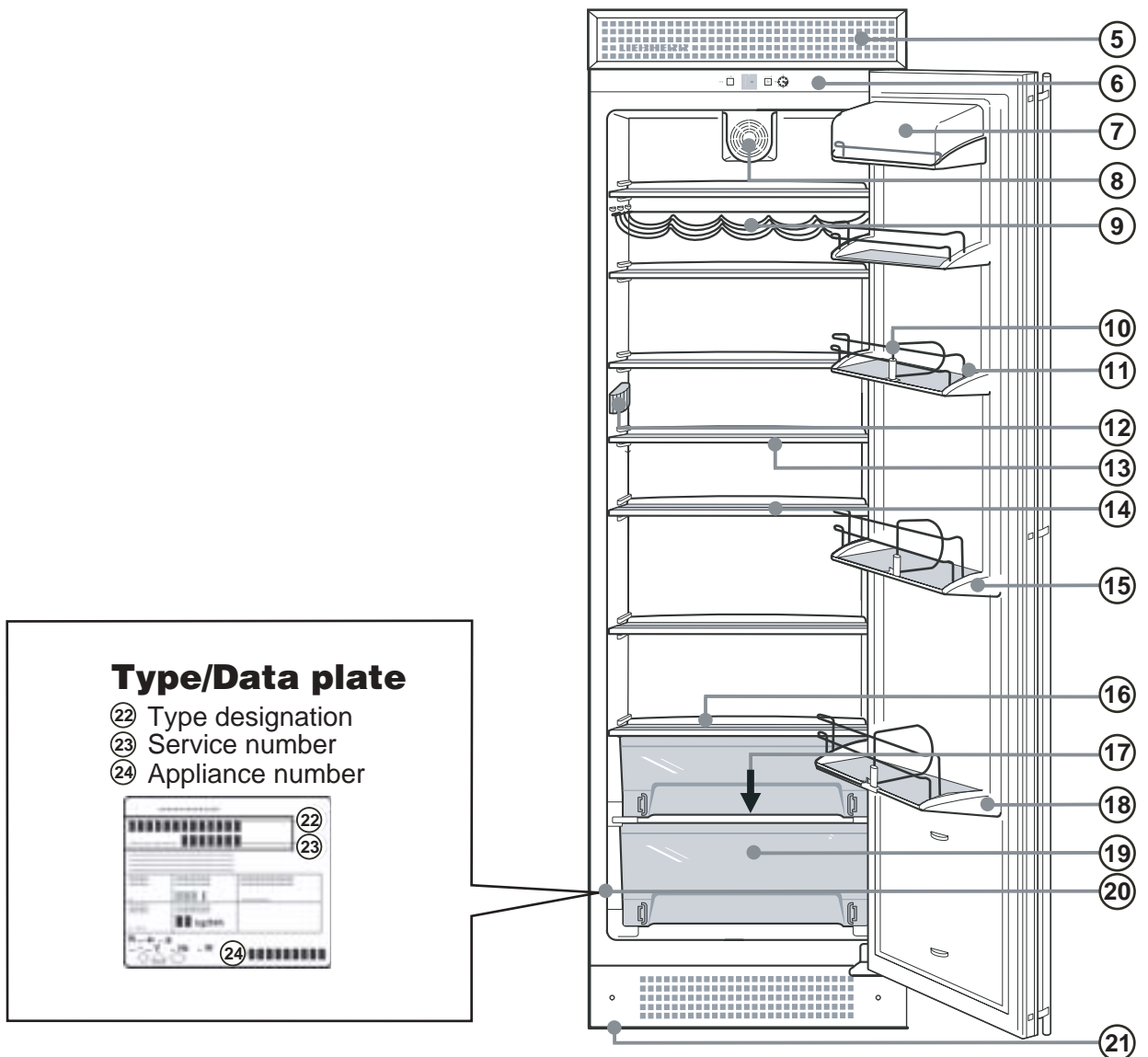
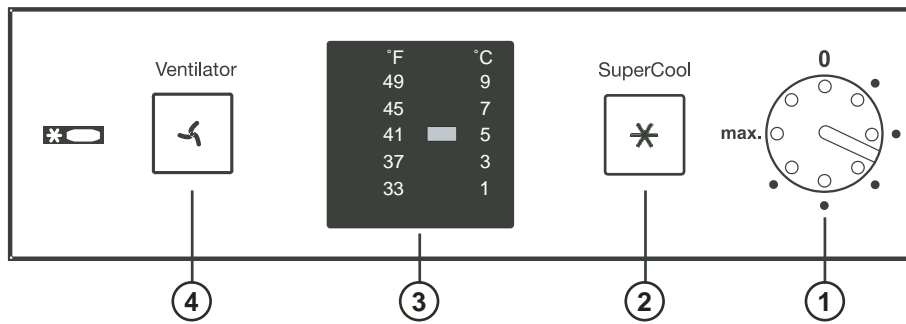


Figure 1

FEATURES

Operating and Control Elements - *Figure 1*

Freezer

- (1) On/off and temperature control
Setting 1 = warm
Setting "max." = cold
Recommended temperature setting: 41°F (5°C)
- (2) SuperCooling button* for fast cooling of food, lit = function activated
- (3) Temperature setting display
- (4) Fan ON/OFF button* for re-circulated air cooling - even temperature distribution throughout refrigerator, lit = function activated

Description of Refrigerator

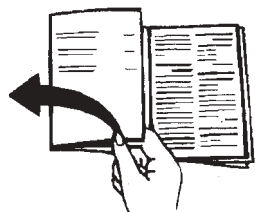
- (5) Rear transport grips
- (6) Operating and control elements*
- (7) Butter and cheese compartment
- (8) Fan for re-circulated air cooling*
- (9) Bottle shelf*
- (10) Adjustable bottle/can holder*
- (11) Adjustable-height jar rack
- (12) Interior light
- (13) Sectioned shelves*
- (14) Adjustable* storage shelves
- (15) Door rack for bottles and drinks
- (16) Coldest area of the refrigerator compartment, suitable for cold-sensitive and highly perishable foods
- (17) Defrost drain
- (18) Gallon shelf
- (19) Vegetable, salad and fruit bins
- (20) Type/Data plate
- (21) Adjustable-height feet and transport grips at front, transport castors at back

Model Plate

- (22) Type designation
- (23) Service number
- (24) Appliance number

* Depending on model and options

TABLE OF CONTENTS



Before reading, please fold out and refer to the illustrated front page.

Keep these operating instructions in a safe place and pass them on to the next owner, where applicable.

Contents	Page
Safety	2
Disposal of Old Appliance	2
Important Safety Information	2
Electrical Safety	3
Safety Instructions and Warnings	3
Unpacking	4
Disposal of Carton	4
Operation	4
Safety Regulations	4
Turning the Appliance ON and OFF	5
Setting the Temperature	5
Temperature Setting Display	5
Supercooling	5
Fan Switch	6
Refrigerator	7
Arranging Food	7
Shelf Arrangement	7
Vegetable Drawer	8
Interior Light	8
Defrosting/Cleaning	9
Defrosting	9
Cleaning	9
Vacation Tips	10
Troubleshooting	11
Customer Service	12
Appliance Information	12
Liebherr Warranty Plan	13

IMPORTANT

All types and models are subject to continuous improvement. The manufacturer reserves the right to make modifications in the shape, equipment and technology.

SAFETY

Read and follow all the safety rules and operating instructions before using this appliance. Save these instructions for future reference. Throughout this instruction manual are specific Important instructions, Cautions and Warnings.

IMPORTANT

This highlights information that is especially relevant to a problem-free installation.



CAUTION

Signals a situation where minor injury or product damage may occur if you do not follow instructions.



WARNING

States a hazard which may cause serious injury or death if precautions are not followed.



DANGER

States a hazard will cause serious injury or death if precautions are not followed.

Disposal of Old Appliance

Be sure to follow your local requirements for disposal of appliances. Discarded appliances can be dangerous.



DANGER

Risk of child entrapment. Before you discard your old refrigerator or freezer:

- **Be sure to follow your local requirements for disposal of appliances. Discarded appliances can be dangerous.**
- **Remove the doors.**
- **Leave the shelves in place so that children may not easily climb inside.**
- **Cut off the prongs from the power cable plug and discard them.**
- **Cut off the power cable from the discarded refrigerator. Discard separately from the refrigerator.**

Following these instructions reduces the possibility of causing personal injury, especially to children playing.

Contact the trash collection agency in your area for additional information.

Important Safety Information

This appliance is intended for domestic use only. Use the appliance only for its intended purpose, the storage of food products. Follow the cautions and safety warnings throughout this instruction manual including the following:

- To prevent injury to you or damage to the unit, the appliance should be unpacked and set up by two people.
- If the appliance is damaged on delivery, contact the supplier immediately before connecting to the power source.
- To guarantee safe operation, ensure that appliance is set up and connected as described in these operating instructions.
- Disconnect the appliance from the power source if a fault occurs. Pull out the plug, turn off or remove the fuse.
- When disconnecting the appliance, use the plug. Do not pull on the cable.
- Any repairs and work on the appliance should only be carried out by the customer service department. Unauthorized work may be dangerous to the user. Changing the power source cable should only be done by the customer service department.
- Do not consume food which has been stored for too long; it could cause food poisoning.
- The appliance is designed for cooling and storage of food. It is intended for domestic use. If used for commercial purposes, the relevant legal regulations applicable to the trade concerned must be observed.
- Do not store explosives or sprays using combustible propellants such as butane, propane, pentane, etc. in the appliance. Electrical components might cause leaking gas to ignite. You may identify such sprays by the printed contents or a flame symbol.
- Do not use electrical appliances inside the appliance.

- Do not allow children to play with the appliance. Children must not climb, sit or stand on the shelves, drawers or door.
- To prevent possible injury due to an electrical shock, be sure to disconnect the power cord or turn off the circuit breaker before replacing the interior light or cleaning the appliance.
- To prevent possible injury due to broken glass, use hand protection when replacing the interior light.
- To avoid injury or damage to the appliance, do not use steam cleaning equipment to clean the appliance.
- Do not operate the refrigerator in the presence of explosive fumes.
- In the event of a power outage, minimize opening the refrigerator door(s). Protect the food either by placing dry ice on top of the packages or using a local frozen food locker if the power failure is of a long duration. Do not attempt to re-freeze any thawed previously frozen food.
- To avoid possible injury, only adjust an empty shelf. Do not attempt to adjust a shelf with food on it.
- To protect the refrigerator from possible damage, allow the appliance to stand 1/2 to 1 hour in place before turning the electricity on. This allows the refrigerant and system lubrication to reach equilibrium.
- Do not use a two-prong adapter. Where a two-prong wall receptacle is encountered, contact a qualified electrician and have it replaced with a three-prong receptacle in accordance with all local codes and ordinances.
- Do not use a power cord that is frayed or damaged.

Safety Instructions and Warnings



CAUTION

To avoid risk of personal injury or property damage, have two people uncrate and move this appliance into place.



CAUTION

Protect the finished floor surface before you uncrate the unit.

Avoid placing the appliance in direct sunlight or near the stove, range top, radiators and similar heat sources. DO NOT place microwave ovens, toaster ovens or other heat-emitting appliances on top of this unit.

The floor under the appliance should be flat and level.

Keep the appliance out of the weather. The ventilation grilles should not be obstructed. Always ensure there is good ventilation all around the appliance.

As soon as you uncrate the unit:

- Examine the unit and packaging for shipping damage. Contact the carrier immediately if you suspect there is any damage.
- Note the type (model number), index, serial number, date of purchase and where purchased on the spaces provided in the back of this manual.

Electrical Safety

Connect this appliance to a 110-120 VAC, 15 amp (20 Amp for side-by-side installations) circuit that is controlled by a circuit breaker or fuse. This appliance should have its own separate grounded circuit. Do not use an extension cord.

The power cord is equipped with a three-prong (grounding) plug for your protection against possible shock hazards. To maintain this protection:

- Do not modify the plug by removing the round grounding prong.

UNPACKING

Disposal of Carton

The packaging is designed to protect the appliance and individual components during moving and is made of recyclable materials.

- Corrugated board/board
- Molded polystyrene (foamed, CFC-free polystyrene)
- Polythene bags and sheets
- Polypropylene straps

WARNING

Keep packaging materials away from children. Polythene sheets and bags can cause suffocation!

- Please take the packaging material to your local recycling facility.

IMPORTANT

The screw covers are taped to the unit doors during shipping. Use care when removing covers. If the hinges and door handles are reversed, you must obtain the Reverse Set. Contact your Liebherr retailer. The Reverse Set is not included with the unit. The door handles must be installed before the screw covers are installed. If you fail to install the handles before the screw covers, you can damage the covers.

Safety Regulations

The appliance complies with UL250 and is designed to cool and store food. It is designed as a household appliance. If used commercially, the relevant regulations on commercial use must be observed.

The appliance is set to operate within specific ambient temperature limits according to its climate rating. These temperature limits should not be exceeded. The correct climate rating for your appliance is indicated on the model plate.

This is explained as follows:

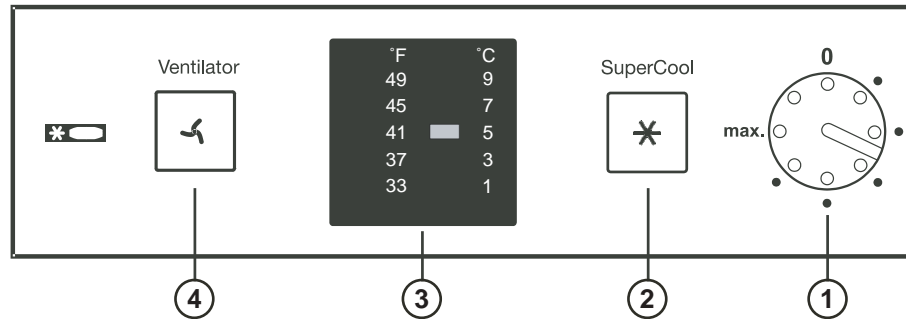
Climate Rating	Set for Ambient Temperatures of
SN	50°F to 90°F (10°C to 32°C)
N	61°F to 90°F (16°C to 32°C)
ST	65°F to 100°F (18°C to 38°C)
T	65°F to 109°F (18°C to 43°C)

- The refrigerant circuit has been tested for leaks.
- The appliance complies with current safety regulations and EC directives 73/23/EEC and 89/336/EEC.

We recommend cleaning the appliance before turning it ON for the first time. See **Cleaning**. Turn ON the appliance several hours before loading it with food for the first time.

WARNING

Do not allow children to play with the appliance. Children must not climb, sit or stand on the shelves, drawers or door.



(From Figure 1)

Turning the Appliance ON and OFF - Figure 1

- **To turn ON:** Turn the temperature control ① with a coin so that the slot is pointing to setting 2.
 - A green light on the temperature display will light up and indicate that the appliance is in normal mode.
 - The interior light will switch on.
- **To turn OFF:** Set the temperature control to “0”.
 - The temperature display and all buttons will go out.
 - The interior light will go out.

Setting the Temperature

- Turn the temperature control ① with a coin until the desired temperature is indicated in the display. The slot positions mean:
 - Setting 1** = highest temperature, lowest cooling setting
 - Setting “max.”** = lowest temperature, highest cooling setting
- Recommended temperature setting: 41°F (5°C).

Please note that the temperature inside your appliance will depend on where you have put it, the temperature in the room, how often you open the door, and what you put in it. If necessary, re-adjust the temperature control.

Temperature Setting Display

- When the temperature display ③ is illuminated, this indicates that the appliance is running.
- The five blocks in the display each relate to a different temperature range. They indicate the refrigerator temperature setting you have selected.

SuperCooling*

The SuperCooling button ② switches the appliance to maximum cooling. This will enable you to achieve temporarily lower refrigerating temperatures. It is recommended particularly if you wish to cool large quantities of food, drinks, freshly baked cakes or meals rapidly.

- **To turn ON:** Press the SuperCooling button ② briefly so that it lights up.
 - The refrigerator temperature will drop to its lowest value.
- **To turn OFF:** Press the SuperCooling button again so that it goes dark.
 - The SuperCooling function uses slightly more energy. After approximately 6 hours, however, the appliance switches back automatically to normal energy-saving operation.

* Depending on model and options

OPERATION

Fan Switch*

for re-circulated air cooling ④:

You can use the fan switch as required to:

- chill large quantities of fresh food fast;
- keep the temperature evenly distributed throughout the entire refrigerator compartment. The air will circulate more intensively, thus keeping all the different areas in the appliance at the same temperature and ensuring that all the food inside is chilled at the same temperature.

- You are recommended to always use the fan switch:
 - in high room temperatures (approximately 95°F / 35°C or higher) or
 - if the air humidity is high, e.g. during the summer.
- **To turn ON:** Press the fan button ④ briefly so it lights up.
- **To turn OFF:** Press the fan button again so it goes dark.
 - To save energy, the fan will turn off automatically when the door is open.

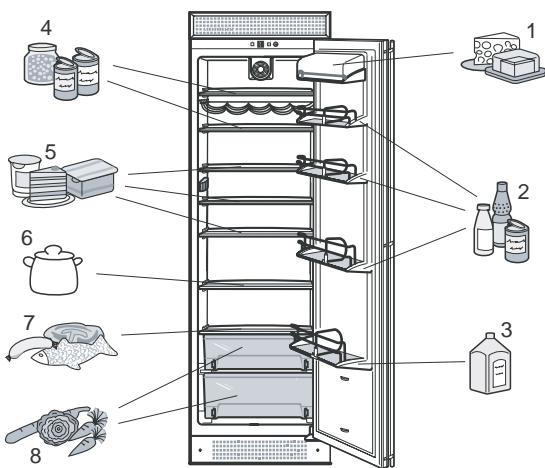
REFRIGERATOR

Arranging Food - Figure 2

The natural circulation of the air inside the refrigerator results in different parts of the refrigerator having different temperatures. This can have its advantages for different types of food. The refrigerator is coldest just above the vegetable bins and against the rear wall (suitable for sausage and meat products etc.); it is warmest at the front at the top and in the door (suitable for spreadable butter, cheese etc.). See Fig. 2 for food storage suggestions.

Notes on cooling

- Store food so that air can circulate properly around it. Do not pack the refrigerator too full. *Do not cover the fan slits** at the back, otherwise the refrigerating capacity will be impaired!



- (1) Butter, cheese, pre-cooked meals
- (2) Cans, drinks, bottles
- (3) Gallon
- (4) Preserves, baked goods
- (5) Dairy products
- (6) Pre-cooked meals
- (7) Meat and sausage products, fish
- (8) Fruit, vegetables, salad

Figure 2

IMPORTANT

- Liquids and food which give off or absorb odors and flavors should always be stored covered or in closed containers.
- High-percentage alcohols should be tightly sealed and stored upright.
- Fruit, vegetables and salad can be stored unpacked in the bins.

WARNING

Limit the load of products stored on the door to 50 lb (22,6 kg).

Shelf Arrangement

WARNING

To avoid possible injury, only adjust an empty shelf. Do not attempt to adjust a shelf with food on it.

You can rearrange the height of the shelves and door racks as required.

IMPORTANT

The beverage rack can be installed anywhere except on the bottom. The bottom glass shelf is shorter than the other shelves so the door can close when the gallon shelf on the door is used. **DO NOT** use any other shelf on the bottom. The beverage rack sits on the glass shelf supports.

Repositioning the door racks - Figure 3

Slide the door rack up, pull out toward you and replace in reverse order.

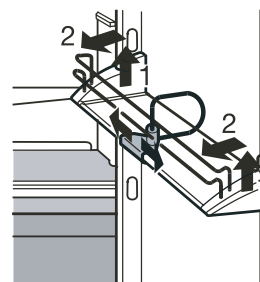


Figure 3

Adjusting the bottle holder

You can protect the bottles from falling over when the door is opened and closed. Always hold by the plastic handle.

Repositioning the shelves - Figure 4

Lift the shelf, slide forward and remove. Always insert shelves with the raised edge at the back pointing up, otherwise food may freeze onto the rear wall.

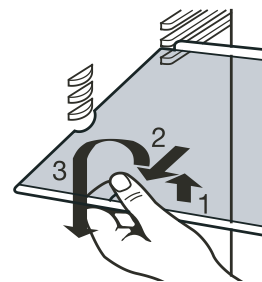


Figure 4

REFRIGERATOR

If you need space for large bottles and containers - *Figure 5*

Lift the front half of the split glass shelf and carefully slide it under the back half until the stops click into the recesses.

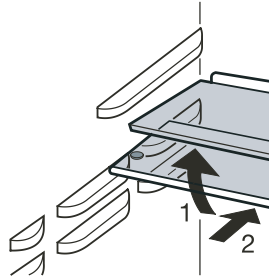


Figure 5

Vegetable Drawer - *Figure 6*

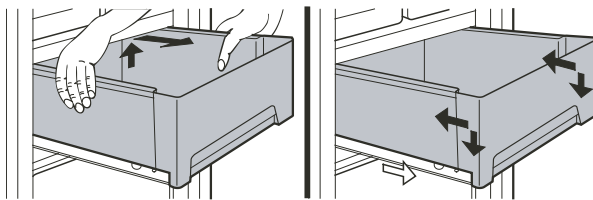


Figure 6

To remove the vegetable drawer:

Pull the drawer straight out, grip at the back and lift out.

To install the vegetable drawer:

Place the drawer on the rails. The rails must be fully extended and aligned with the front of the drawer. Slide the drawer in.

Interior Light - *Figure 7*

This turns OFF automatically after the door has been opened for approximately 15 minutes. If it does not turn ON when the door is opened briefly, but the temperature display is working, the bulb(s) may be defective.

Bulb data:

120 V, Maximum wattage - 25 W
Bulb fitting - E14

Current and voltage must agree with details on the model plate.

Replacing the bulb:

⚠ WARNING



To prevent possible injury due to an electrical shock, be sure to disconnect the power cord or turn OFF the circuit breaker before replacing the interior light bulb(s) or cleaning the appliance.

⚠ CAUTION

To prevent possible injury due to broken glass, use hand protection when replacing the interior light bulb(s).

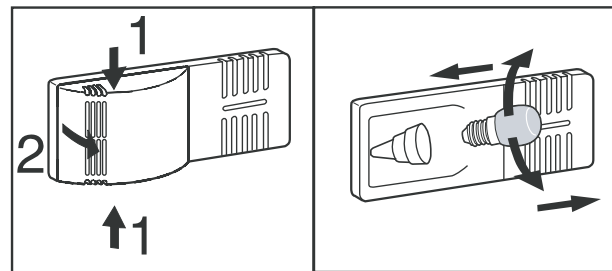


Figure 7

- Press the light cover together at the sides (1), lift out and unclip (2).
- Replace the bulb.
- Clip the back end of the cover in and clip the sides into place.

DEFROSTING/CLEANING

Defrosting

The refrigerator compartment defrosts automatically. The water that forms on the rear wall drains into a reservoir at the back of the appliance and evaporates automatically through the compressor heat.

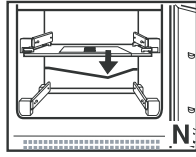


Figure 8

Ensure the defrost water can flow freely through the drain hole in the rear wall (Figure 8).

Cleaning - Figure 9

WARNING



- To prevent possible injury due to an electrical shock, be sure to disconnect the power cord or turn OFF the circuit breaker before replacing the interior light bulb(s) or cleaning the appliance.
- To avoid injury or damage, DO NOT use steam cleaning equipment to clean the appliance.

Clean the appliance by hand with lukewarm water and a little detergent.

DO NOT use abrasive or scouring sponges. **DO NOT** use concentrated cleaning agents. **NEVER** use abrasive or acid cleaners or chemical solvents.

Keep your stainless steel looking new by cleaning with a good quality stainless steel cleaner or polish monthly. High quality stainless steel cleaners and conditioners are commercially available.

DO NOT CLEAN WITH STEEL WOOL PADS or ABRASIVE PADS. DO NOT use cleaners that are not for use on stainless steel, such as glass, tile or counter cleaners. These types of cleaners can damage the surface permanently.

Stainless steel that is exposed to chlorine gas and moisture may have some discoloration. This discoloration is normal. If your unit is used in this environment, clean and polish your stainless steel more often.

If the surface discolors or rusting appears, clean it quickly with a non-abrasive cloth and protect it. Always clean and polish in the direction of the grain and finish.

- The racks, shelves and other components should be cleaned by hand as they are not dishwasher-safe.
 - Always remove the top door rack (butter and cheese compartment) together with the flap*. Then press one of the side walls carefully to the outside to release the flap pin. The flap can then be lifted out. Make sure not to damage any bushings*.
 - The shelves and door racks can be dismantled for cleaning. Remove the trims and sides from the glass shelves.
 - Remove the protective film from the decorative trims.
- To clean the vegetable, salad and fruit drawers, pull the drawers right out, grip at back and lift out. To re-insert: place the drawers on the extended rails - the rails must align with the front of the drawer - and slide in.
- Ensure no cleaning water penetrates into the electrical components or ventilation grille.
- Dry all parts well with a cloth.



Figure 9

- Remove dust from the refrigerator unit and heat exchanger and the metal grid at the back of the appliance. This should be done at least once a year.
- **DO NOT** damage or remove the model plate on the inside of the appliance. It is very important for servicing your appliance.

* Depending on model and options

DEFROSTING/CLEANING

Vacation Tips

Short vacations:

It is not necessary to turn OFF the refrigerator if you will be away for less than four weeks.

- Use all perishables.

Long vacations:

If you will be away for a month or more:

- Remove all food from the refrigerator.
- Turn OFF the refrigerator.
- Clean the appliance. Refer to **Cleaning**.
- Leave the door open to prevent unpleasant odors. This will also keep mold from building up.

TROUBLESHOOTING

Your appliance is designed and manufactured for a long life and reliable operation.

If a problem occurs during operation, check whether it is due to an operating error. Please note

that even during the warranty period, some repair costs may be your responsibility.

You may be able to correct the following faults by checking the possible causes yourself:

Problem	Possible Cause and Remedy
Appliance does not work, display is OFF	<ul style="list-style-type: none">- Is the appliance turned ON properly?- Is the power source plug properly inserted in the socket?- Is the circuit breaker or fuse in operating condition?
The interior light does not come ON	<ul style="list-style-type: none">- Is the refrigerator compartment turned ON?- Has the door been open for more than 15 minutes?- The bulb is defective. Change the bulb as described in Interior light.
Loud running noise	<ul style="list-style-type: none">- Is the appliance standing firmly on the floor, or does the compressor cause nearby items of furniture or objects to vibrate? If necessary, move the appliance slightly, align by adjusting the adjustable feet, or move bottles and containers apart.
Motor seems to run too long	<ul style="list-style-type: none">- Is the ambient temperature too hot? See Safety Regulations.- Has the appliance been opened too often or left open too long?- A large amount of food has been added.- Unit is in Supercooling mode. Verify unit is in normal operation mode.
The temperature is not cold enough	<ul style="list-style-type: none">- Is the temperature setting correct? See Setting The Temperature.- Has an excessive amount of fresh food been placed in the appliance?- Does a separately installed thermometer show the correct reading?- Is the ventilation system working properly?- Is the appliance set up too close to a heat source?

Customer Service - Figure 1



If none of the above causes apply and you cannot correct the fault yourself, please contact your nearest customer service department (see enclosed list for addresses).

Give the **fault number displayed**, together with the **Type Designation (Fig. 1, 20)**, **Service Number (Fig. 1, 21)** and **Appliance Number (Fig. 1, 22)**

as given on the model plate, to ensure prompt, accurate servicing. The model plate is located inside the appliance on the left-hand side.

Leave the appliance closed until the customer service engineer arrives to prevent any further cold loss.

Appliance Information

Record this information when the appliance is installed.

Type Designation: _____

Service Number: _____

Appliance Number: _____

Date of Purchase: _____

Where Purchased: _____

LIEBHERR WARRANTY PLAN - FOR U.S. ONLY

FULL TWO YEAR WARRANTY - For two years from the date of original purchase, your Liebherr warranty covers all parts and labor to repair or replace any part of the product which proves to be defective in materials or workmanship.

FULL FIVE YEAR WARRANTY - For five years from the date of original purchase, your Liebherr warranty covers all parts and labor to repair or replace any components that prove to be defective in materials or workmanship in the sealed system. The "Sealed System" means only the compressor, condenser, evaporator, drier and all connecting tubing.

LIMITED 6TH THROUGH 12TH YEAR WARRANTY - From the 6th through 12th year from the date of original purchase, your Liebherr warranty covers all parts that prove to be defective in materials or workmanship in the Sealed System (parts only).

TERMS APPLICABLE TO EACH WARRANTY

All service provided by Liebherr under the warranty must be performed by authorized Liebherr service representatives, unless otherwise specified by Liebherr. Service will be provided in the home during normal business hours. This warranty applies only to products installed for normal residential use. Details regarding a non-residential warranty are available on request.

The warranty applies only to products installed in any one of the fifty states of the United States or the District of Columbia. This warranty does not cover any parts or labor to correct any defect caused by negligence, accident or improper use, maintenance, installation, service or repair, including but not limited to improper removal and reinstallation of the condensing unit.

The remedies described above for each warranty are the only ones which Liebherr will provide, either under these warranties or under any warranty arising by operation of law. Liebherr will not be responsible for any consequential or incidental damages arising from the breach of these warranties or any other warranties, whether express, implied or statutory.

Some states do not allow the exclusion or limitation of incidental or consequential damages so the above limitation or exclusion may not apply to you. This warranty gives you specific legal rights and you may also have other rights which vary from state to state.

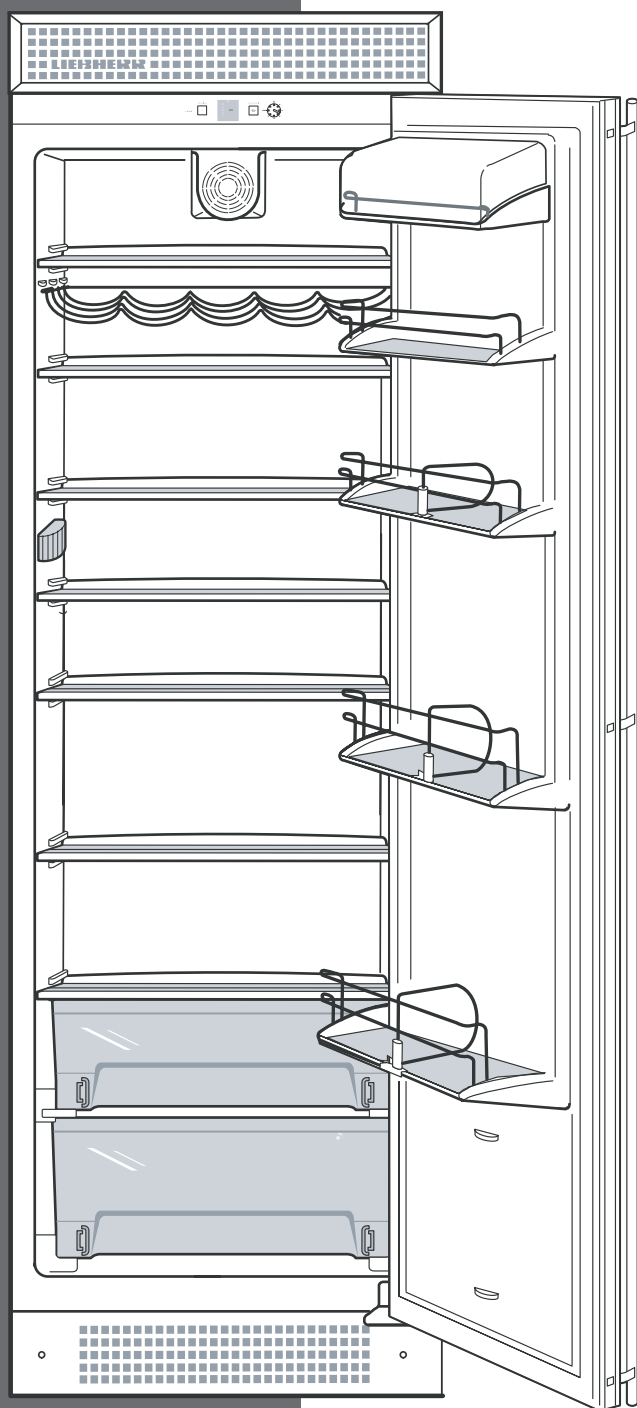
To receive parts and/or service and the name of the Liebherr authorized service representative nearest you, contact your Liebherr dealer or distributor or contact the Liebherr designated national service provider at Liebherr@adcoservice.com or call 1-866-LIEBHERR, or 1-866-543-2437.

NOTES

LIEBHERR

Manuel d'utilisation et d'entretien

Pour réfrigérateurs encastrés,
pour une utilisation intégrée



R 1400

RI 1400

KE/es 4240 2804

7082 246-00

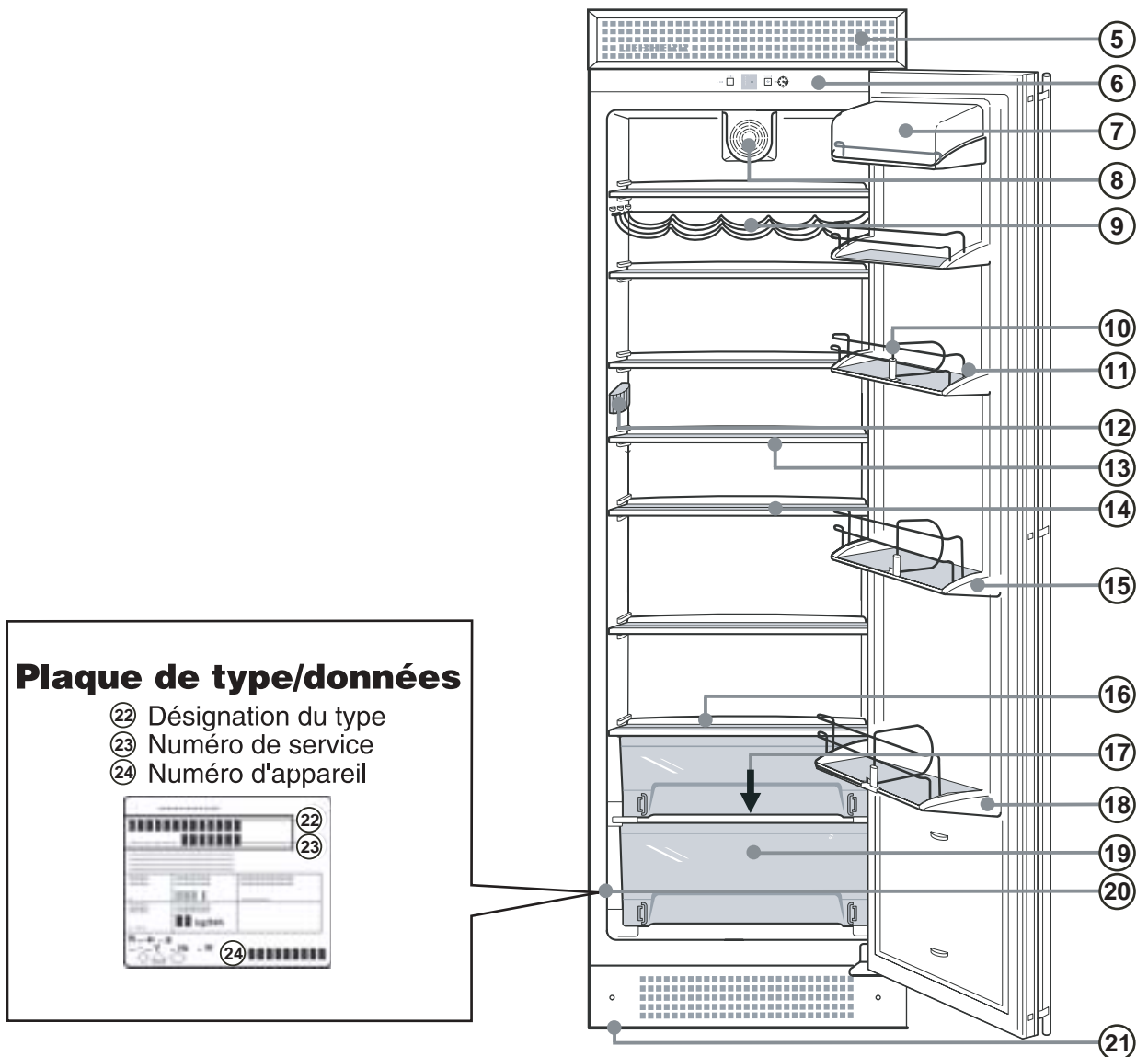
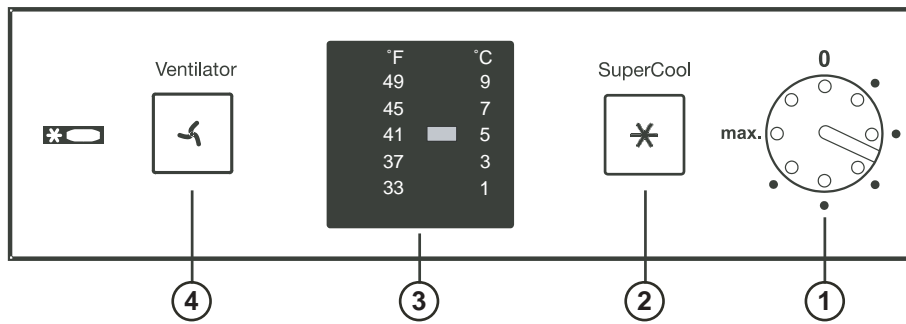


Figure 1

FONCTIONS ET CARACTÉRISTIQUES

Commandes - Figure 1

Congélateur

- (1) Commande de marche/arrêt et de température
Réglage 1 = chaud
Réglage « max. » = froid
Réglage de température recommandé : 41 °F (5 °C)
- (2) Bouton SuperCool* pour un refroidissement rapide des aliments, allumé = fonction activée
- (3) Affichage du réglage de température
- (4) Bouton de marche/arrêt du ventilateur* pour le refroidissement de l'air remis en circulation - température uniforme à travers le réfrigérateur, allumé = fonction activée

Description du réfrigérateur

- (5) Poignées de transport arrière
- (6) Commandes*
- (7) Casier à beurre et fromages
- (8) Ventilateur pour refroidir l'air remis en circulation*
- (9) Casier à bouteilles*
- (10) Balconnet à bouteilles/boîtes réglable*
- (11) Balconnet à bocaux à hauteur réglable
- (12) Éclairage intérieur
- (13) Étagères à section multiples*
- (14) Étagères de rangement réglables*
- (15) Balconnet à bouteilles et boissons
- (16) Zone la plus froide du compartiment réfrigérateur, adaptée aux aliments sensibles au froid et ultra-périssables
- (17) Vidange d'eau de dégivrage
- (18) Balconnet à maxi-bouteilles
- (19) Bacs à légumes, salade et fruits
- (20) Plaque de type/données
- (21) Pieds à hauteur réglable et poignées de transport à l'avant, roulettes de transport à l'arrière

Plaque de modèle

- (22) Désignation du type
- (23) Numéro de service
- (24) Numéro d'appareil

* Selon le modèle et les options

Félicitations pour votre achat. Le choix de cet appareil signifie que vous bénéficierez de tous les avantages de la technique de réfrigération de pointe dans un appareil durable, de qualité exceptionnelle et extrêmement fiable.

Les fonctions de votre appareil ont été conçues pour une convivialité maximale.

Cet appareil a été fabriqué à partir de matériaux recyclables par des procédés respectueux de l'environnement, pour que nous participions tous activement à la préservation de notre environnement.

Apprenez à connaître tous les avantages de votre nouvel appareil en lisant attentivement les informations contenues dans ce manuel.

Nous ne doutons pas que votre nouvel appareil vous donnera entière satisfaction.

Autres avantages

- Sans CFC
- Circuit réfrigérant économe en énergie
- Isolation pour réduire la déperdition d'énergie
- Faible consommation d'énergie

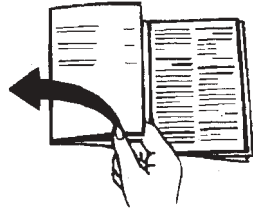
- Commandes électroniques conviviales
- Affichage des fonctions activées
- Température modulable dans la plage de températures nominales propre au climat
- Le réfrigérateur est à dégivrage automatique - gain de temps

- Grande contenance nette
- Fonctions variables et pratiques
- Étagères en verre de sécurité
- Les étagères sont amovibles pour pouvoir faire tenir les aliments volumineux

- Poignées de transport intégrées sur le boîtier de l'appareil
- Roulettes de transport au dos

- Facile à nettoyer
- Les charnières de porte peuvent être inversées

TABLE DES MATIÈRES



Avant de commencer à lire, dépliez le document et consultez la première page illustrée.

Conservez ces instructions d'utilisation en lieu sûr et confiez-les au propriétaire suivant, le cas échéant.

Sommaire	Page
Sécurité	20
Mise au rebut de votre appareil usagé	20
Consigne importante de sécurité	20
Consignes de sécurité liées à l'électricité	21
Consignes de sécurité et avertissements	21
Déballage	22
Mise au rebut du carton	22
Contraintes de sécurité	22
Mode d'emploi	23
Mise en marche et arrêt de l'appareil	23
Réglage de la température	23
Affichage du réglage de température	23
SuperCool	23
Interrupteur du ventilateur	24
Réfrigérateur	25
Disposer les aliments	25
Installation des étagères	25
Bac à légumes	26
Éclairage intérieur	26
Dégivrage/nettoyage	27
Dégivrage	27
Nettoyage	27
Conseils pour les périodes de vacances	28
Dépannage	29
Service clientèle	30
Informations sur l'appareil	30
Garantie Liebherr	31

IMPORTANT

Tous les types et modèles sont sujets à des améliorations permanentes. Le fabricant se réserve le droit d'apporter toute modification au design, à l'équipement et à la technologie.

SÉCURITÉ

Lisez et suivez toutes les instructions d'utilisation et les consignes de sécurité avant d'utiliser votre appareil. Conservez ces instructions pour référence ultérieure. Dans ce manuel d'instructions, vous trouverez des instructions importantes, des mises en garde et des avertissements.

IMPORTANT

Souligne des informations particulièrement importantes pour réaliser une installation sans problème.



ATTENTION

Indique une situation pouvant occasionner de légères blessures ou des dégâts matériels si vous ne suivez pas les instructions.



AVERTISSEMENT

Indique un danger qui peut provoquer des blessures graves, voire la mort, si les précautions ne sont pas respectées.



DANGER

Indique un danger qui provoquera des blessures graves, voire la mort, si les précautions ne sont pas respectées.

Mise au rebut de votre appareil usagé

Veillez à vous conformer aux exigences locales de mise au rebut des appareils. Les appareils jetés peuvent être dangereux.



DANGER

Un enfant risque de s'y trouver enfermé. Avant de se débarrasser de l'ancien réfrigérateur ou congélateur :

- Veillez à vous conformer aux exigences locales de mise au rebut des appareils. Les appareils jetés peuvent être dangereux.
- Enlevez les portes.
- Laissez les étagères en place afin qu'aucun enfant ne puisse grimper à l'intérieur.
- Coupez et jetez les broches du câble d'alimentation.
- Coupez le câble d'alimentation de l'appareil mis au rebut. Jetez-le à part.

En respectant toutes ces instructions, les risques de blessures, surtout pour les enfants qui jouent, sont diminués.

Rejoignez votre entreprise locale de ramassage des ordures pour obtenir de plus amples renseignements.

Consigne importante de sécurité

Cet appareil est conçu pour une utilisation domestique uniquement. Réservez son utilisation à son indication, c'est-à-dire la conservation des aliments. Suivez les mises en garde et les avertissements de ce manuel d'utilisation, notamment :

- Pour éviter tout risque de blessure ou d'endommagement de l'appareil, il est recommandé de s'y prendre à deux pour le débarrasser et le mettre en place.
- Si l'appareil subit des dommages en cours de transport, rejoignez immédiatement le fournisseur avant même de brancher l'appareil.
- Pour garantir un fonctionnement sûr, respectez scrupuleusement les instructions d'installation et de branchement.
- En cas de panne, débranchez l'appareil. Sortez la fiche de la prise, coupez l'alimentation ou retirez le fusible.
- Saisissez le câble par sa fiche lorsque vous débranchez l'appareil. Ne tirez pas sur le câble.
- Toute réparation et tout travail effectué sur l'appareil doit être confié au service clientèle. Tout travail non autorisé risque de mettre l'utilisateur en danger. Cette consigne s'applique également au remplacement du câble d'alimentation.
- Pour éviter tout risque d'intoxication alimentaire, ne consommez pas d'aliments stockés au-delà de leur date limite de conservation.
- L'appareil a été conçu pour le refroidissement et la conservation des aliments. Il est prévu pour un usage domestique. Son utilisation à des fins commerciales implique le respect des réglementations associées à un tel usage.
- Ne conservez pas de matières explosives ni de produits en bombe à gaz propulseur inflammable (butane, propane, pentane, etc.) dans votre appareil. Les composants électriques risquent d'enflammer le gaz qui fuit. Pour identifier ce type de bombes aérosols, lisez leur contenu imprimé ou cherchez-y le symbole d'une flamme.
- N'utilisez aucun appareil électrique à l'intérieur de l'appareil.

- Ne laissez pas les enfants jouer avec cet appareil. Les enfants ne doivent ni grimper, s'asseoir ou se mettre debout sur les étagères, les tiroirs et les portes.
- Pour éviter toute blessure éventuelle due à une électrocution, veillez à débrancher le cordon d'alimentation ou à couper le disjoncteur avant de remplacer l'éclairage intérieur ou de nettoyer l'appareil.
- Afin d'éviter toute blessure éventuelle due au bris de verre, protégez-vous les mains lors du remplacement de l'éclairage intérieur.
- Afin d'éviter toute blessure ou d'abîmer l'appareil, n'utilisez aucun appareil de nettoyage à la vapeur pour nettoyer l'appareil.
- N'utilisez pas l'appareil en présence de fumées explosives.
- En cas de panne de courant, réduisez l'ouverture de la ou des porte(s) de l'appareil. Protégez les aliments en plaçant de la glace carbonique sur les paquets ou en utilisant un autre casier pour denrées congelées si la panne de courant est de longue durée. N'essayez pas de recongeler les aliments décongelés.
- Afin d'éviter les blessures, réglez une étagère seulement lorsqu'elle est vide. N'essayez pas d'ajuster une étagère sur laquelle des aliments sont placés.
- Pour éviter d'abîmer l'appareil, laissez-le reposer pendant 1/2 heure à une heure avant de rétablir l'électricité. Cela permettra au produit réfrigérant et au lubrifiant du système d'atteindre l'équilibre.
- N'utilisez pas d'adaptateur à 2 broches. Si la prise murale est du type à deux broches, demandez à un électricien qualifié de la remplacer par une prise à trois broches conforme aux normes électriques en vigueur.
- N'utilisez aucun cordon d'alimentation effiloché ou abîmé.

Consignes de sécurité et avertissements



ATTENTION

Pour éviter tout risque de blessure ou d'endommagement de l'appareil, il est recommandé de s'y prendre à deux pour le déballer et le mettre en place.



ATTENTION

Protégez le revêtement du sol avant de déballer l'appareil.

Évitez d'installer l'appareil à un endroit directement exposé aux rayons du soleil, près d'un four, d'une cuisinière, d'un chauffage ou de tout autre appareil chauffant. NE POSEZ aucun appareil qui dégage de la chaleur (four à micro-ondes, grille-pain etc.) sur votre appareil.

Le sol sous l'appareil doit être plan et à niveau.

L'appareil doit être protégé des intempéries. Ne bouchez pas les grilles de ventilation. Assurez-vous toujours que l'appareil est bien ventilé.

Dès que le déballage de l'appareil :

- Examinez l'appareil et l'emballage pour repérer les dommages qui ont pu se produire en cours de transport. Rejoignez immédiatement le transporteur si vous suspectez des dommages.
- Notez le type (numéro de modèle), l'index, le numéro de série, la date et le lieu d'achat dans les espaces prévus à cet effet au dos de ce manuel.

Consignes de sécurité liées à l'électricité

Branchez cet appareil sur un circuit 110-120 V c.a., 15 A (20 A pour les installations côte à côte) commandé par un disjoncteur ou un fusible. Cet appareil doit posséder son propre circuit de mise à la terre distinct. N'utilisez pas de rallonge.

Le cordon d'alimentation est doté d'une fiche à trois broches (avec mise à la terre) pour vous protéger contre les éventuels risques d'électrocution. Pour une protection durable :

- Ne modifiez pas la fiche en ôtant la broche ronde de mise à la terre.

DÉBALLAGE

Mise au rebut du carton

L'emballage est destiné à protéger l'appareil et les composants individuels pendant le transport ; il est fabriqué à partir de matériaux recyclés.

- Carton ondulé/carton
- Polystyrène moulé (polystyrène expansé sans CFC)
- Sacs et feuilles en polythène
- Sangles en polypropylène



AVERTISSEMENT

Tenez l'emballage à l'écart des enfants. Les feuilles et les sacs de polythène peuvent provoquer une suffocation !

- Déposez les emballages au centre de recyclage le plus proche.

IMPORTANT

Les cache-vis sont collés avec un ruban sur la porte de l'appareil pour l'expédition. Faites attention lorsque vous les retirez. Si les charnières et poignées de porte sont inversées, vous devez vous procurer l'ensemble inversé. Contactez votre détaillant Liebherr. L'ensemble inversé n'est pas compris avec l'appareil. Les poignées de porte doivent être installées avant la mise en place des cache-vis. Si vous n'installez pas les poignées avant les cache-vis, vous risquez d'endommager ces derniers.

Contraintes de sécurité

L'appareil est conforme à la norme UL250 et il a été conçu pour refroidir et conserver les aliments. Il est prévu pour fonctionner comme un appareil ménager. S'il est utilisé de façon commerciale, les règlements liés à une utilisation commerciale devront être observés.

L'appareil est réglé pour fonctionner dans des limites de température ambiante spécifiques en fonction du climat. Ces limites de température ne doivent pas être dépassées. La classification appropriée de votre appareil en fonction du climat est indiquée sur la plaque du modèle.

Les explications sont les suivantes :

Classification en fonction du Climat	Valeurs nominales définies pour les températures ambiantes suivantes
SN	50 à 90 °F (10 à 32 °C)
N	61 à 90 °F (16 à 32 °C)
ST	65 à 100 °F (18 à 38 °C)
T	65 à 42,78°C (18 à 43°C)

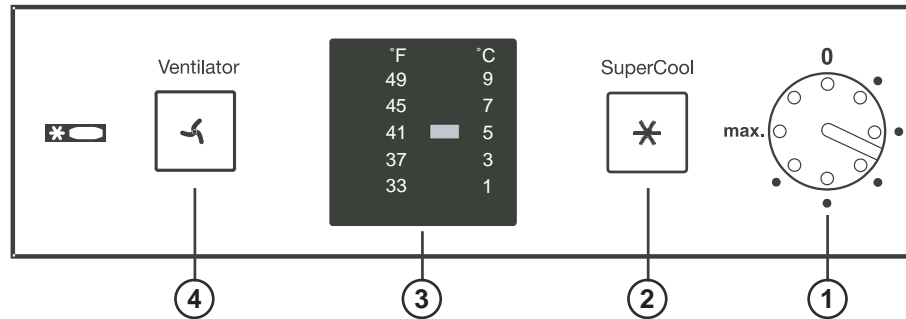
- Le circuit de réfrigération a été testé pour les fuites.
- L'appareil est conforme aux contraintes de sécurité actuelles et aux directives CE 73/23/CEE et 89/336/CEE.

Nous vous recommandons de nettoyer l'appareil avant de le mettre en service. Voir **Nettoyage**. Mettez l'appareil en marche plusieurs heures avant de le remplir d'aliments.



AVERTISSEMENT

Ne laissez pas les enfants jouer avec cet appareil. Les enfants ne doivent ni grimper, s'asseoir ou se mettre debout sur les étagères, les tiroirs et les portes.



(de la figure 1)

Mise en marche et arrêt de l'appareil - Figure 1

- **Mise en MARCHÉ** : Tournez la commande de température ① avec une pièce pour que la fente pointe sur le réglage 2.
 - Un voyant vert s'allume sur l'affichage de température pour indiquer que l'appareil est en mode Normal.
 - L'éclairage intérieur s'allume.
- **ARRÊT** : Tournez la commande de température sur 0.
 - L'affichage de température et tous les boutons s'éteignent.
 - L'éclairage intérieur s'éteint.

Réglage de la température.

- Tournez la commande de température ① avec une pièce jusqu'à ce que la température souhaitée s'affiche. Les positions de fente ont la signification suivante :

Réglage 1	=	plus haute température,
		réglage de refroidissement le plus bas
Réglage « max. »	=	plus basse température,
		réglage de refroidissement le plus haut
- Réglage de température recommandé : 41 °F (5 °C).

Notez que la température à l'intérieur de l'appareil dépend de son lieu d'installation, de la température ambiante dans la pièce, de la fréquence d'ouverture de la porte et de ce que vous y mettez. Si nécessaire, ajustez la commande de température.

Affichage du réglage de température

- L'allumage de l'affichage de température ③ indique que l'appareil fonctionne.
- Les cinq blocs de l'affichage correspondent chacun à une plage de températures différente. Ils indiquent le réglage de température du réfrigérateur que vous avez sélectionné.

SuperCool*

Le bouton SuperCool ② active le refroidissement maximum. Ceci vous permet d'atteindre temporairement des températures inférieures de réfrigération. Nous vous recommandons ce réglage, surtout si vous souhaitez refroidir rapidement de grandes quantités d'aliments, de boissons, de gâteaux ou de repas qui viennent d'être préparés.

- **Mise en MARCHÉ** : Appuyez brièvement sur le bouton SuperCool ② pour qu'il s'allume.
 - La température du réfrigérateur descend à sa valeur la plus basse.
- **ARRÊT** : Rappuyez brièvement sur le bouton SuperCool pour qu'il s'éteigne.
 - La fonction SuperCool consomme légèrement plus d'énergie. Toutefois, après environ six heures, l'appareil repasse automatiquement en fonctionnement normal, peu gourmand en énergie.

* Selon le modèle et les options

MODE D'EMPLOI

Interrupteur du ventilateur*

pour refroidir de l'air remis en circulation ④ :

Vous pouvez utiliser l'interrupteur du ventilateur au besoin pour :

- refroidir rapidement de grandes quantités d'aliments frais ;
- maintenir une température uniforme à travers l'ensemble du compartiment réfrigérateur. L'air circulera en accéléré, maintenant ainsi toutes les différentes zones de l'appareil à la même température et garantissant le refroidissement uniforme de tous les aliments.

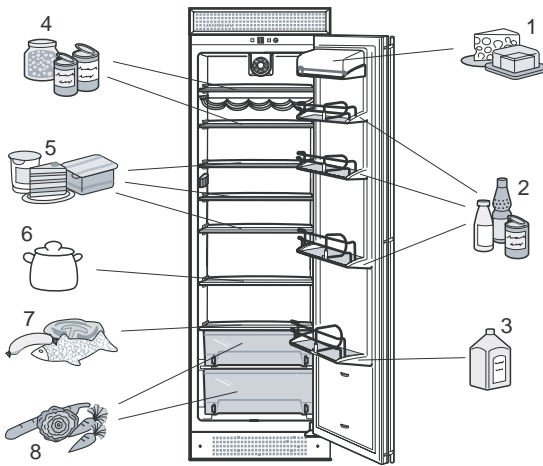
- Nous vous recommandons de toujours utiliser l'interrupteur du ventilateur :
 - dans les pièces où la température ambiante est élevée (95 °F / 35 °C ou plus) ou
 - si l'humidité ambiante est élevée (en été, par exemple).
- **Mise en MARCHÉ** : Appuyez brièvement sur le bouton du ventilateur ④ pour qu'il s'allume.
- **ARRÊT** : Rappuyez brièvement sur le bouton du ventilateur pour qu'il s'éteigne.
 - Pour économiser l'énergie, le ventilateur s'arrête automatiquement dès que la porte est ouverte.

Disposition des aliments - Figure 2

La circulation naturelle de l'air à l'intérieur du réfrigérateur engendre des différences de température selon la zone de l'appareil. Ces différences peuvent présenter certains avantages pour des types d'aliments différents. Le réfrigérateur est le plus froid juste au-dessus du bac à légumes et contre la paroi arrière (zones adaptées aux saucisses et aux viandes) ; il est le moins froid sur l'avant, en haut et dans la porte (pour le beurre, le fromage, etc.). Pour les suggestions de rangement, reportez-vous à Fig. 2.

Remarques sur le refroidissement

- Disposez les aliments de sorte que l'air puisse circuler correctement autour. Ne remplissez pas trop l'appareil. *Ne couvrez pas* les fentes du ventilateur* à l'arrière sous peine de compromettre la capacité de réfrigération !



- (1) Beurre, fromages, plats préparés
- (2) Canettes, boissons, bouteilles
- (3) Maxi-bouteille (4 litres)
- (4) Confitures, aliments cuits
- (5) Produits laitiers
- (6) Plats préparés
- (7) Viande et saucisses, poisson
- (8) Fruits, légumes, salades

Figure 2

IMPORTANT

- Les liquides et les aliments qui dégagent ou absorbent les odeurs doivent toujours être recouverts ou conservés dans des boîtes fermées.
- Les alcools forts doivent être bien fermés et conservés à la verticale.
- Les fruits, les légumes et les salades peuvent être rangés dans les bacs sans emballage.

AVERTISSEMENT

Limitez le poids des produits placés dans la porte à 50 lb (22,6 kg).

Installation des étagères

AVERTISSEMENT

Afin d'éviter les blessures, réglez une étagère seulement lorsqu'elle est vide. N'essayez pas d'ajuster une étagère sur laquelle des aliments sont placés.

Vous pouvez modifier la hauteur des étagères et des balconnets de porte s'il y a lieu.

IMPORTANT

Le casier à bouteilles peut être installé n'importe où sauf en bas. L'étagère inférieure en verre est plus courte que les autres étagères pour que la porte puisse se fermer lorsque le balconnet à maxi-bouteilles de la porte est utilisé. N'utilisez AUCUNE autre étagère en bas. Le casier à bouteilles repose sur les supports de l'étagère en verre.

Repositionnement des balconnets de porte

- Figure 3

Remontez le balconnet, puis tirez vers vous et remettez-le en place en procédant inversement.

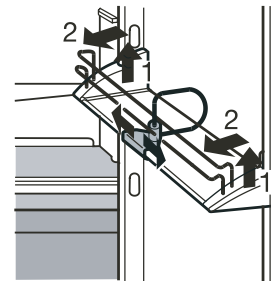


Figure 3

Réglage du balconnet à bouteilles

Vous pouvez empêcher la chute des bouteilles durant l'ouverture ou la fermeture de la porte. Saisissez-la toujours par sa poignée en plastique.

Repositionnement des étagères - Figure 4

Soulevez l'étagère, glissez-la vers l'avant et enlevez-la. Insérez toujours les étagères en tenant le bord surélevé à l'arrière vers le haut, sinon les aliments risquent de geler sur la paroi arrière.

L'étagère étroite (6) doit être insérée en vis-à-vis du balconnet à maxi-bouteilles.

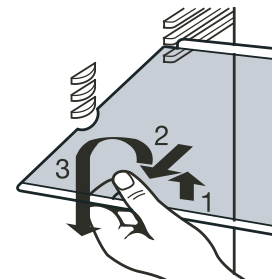


Figure 4

RÉFRIGÉRATEUR

Si vous avez besoin d'espace pour les grandes bouteilles ou les grandes boîtes -

Figure 5

Soulevez la moitié avant de la demi-étagère en verre et faites-la glisser délicatement sous la moitié arrière jusqu'à ce qu'elle se loge dans les encoches.

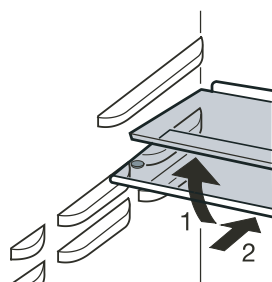


Figure 5

Bac à légumes - Figure 6

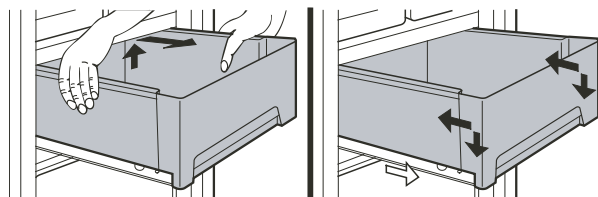


Figure 6

Pour sortir le bac à légumes :

Tirez droit sur le tiroir, saisissez-le à l'arrière et sortez-le.

Pour mettre le bac à légumes en place :

Reposez le bac sur les glissières. Les glissières doivent être complètement sorties et alignées sur l'avant du bac. Glissez le bac à l'intérieur.

Éclairage intérieur - Figure 7

Il s'éteint automatiquement si la porte reste ouverte pendant environ 15 minutes. S'il ne s'allume pas lorsque la porte est ouverte pendant peu de temps, mais si l'écran de température fonctionne, il se peut que l'ampoule soit défectueuse.

Caractéristiques des ampoules :

120 V, puissance maximale 25 W

Douille d'ampoule - E14

Le courant et la tension doivent correspondre aux renseignements figurant sur la plaque de modèle.

Remplacement de l'ampoule :

AVERTISSEMENT



Pour éviter toute blessure due à une électrocution, débranchez le cordon d'alimentation ou coupez le disjoncteur avant de remplacer une ampoule de l'éclairage intérieur ou de nettoyer l'appareil.

ATTENTION

Afin d'éviter toute blessure éventuelle due au bris de verre, protégez-vous les mains lors du remplacement de l'éclairage intérieur.

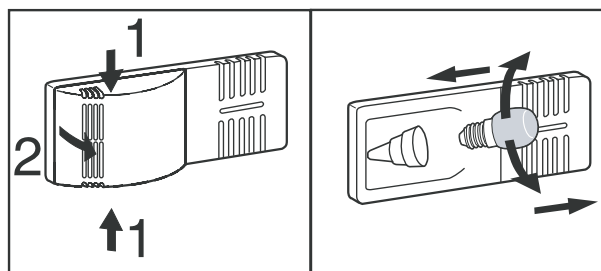


Figure 7

- Appuyez les côtés du cache-éclairage (1), soulevez et détachez (2).
- Remplacez l'ampoule.
- Attachez l'arrière du cache, puis les côtés.

Dégivrage

Le compartiment réfrigérateur est à dégivrage automatique. L'eau de dégivrage qui se forme sur la paroi arrière est évacuée et recueillie dans un bac au dos de l'appareil, d'où elle s'évapore ensuite sous l'effet de la chaleur dissipée par le compresseur.

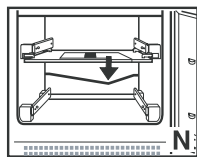


Figure 8

Assurez-vous que l'eau de dégivrage peut s'écouler librement par le trou de vidange dans la paroi arrière (Figure 8).

Nettoyage - Figure 9

⚠ AVERTISSEMENT



- Pour éviter toute blessure éventuelle due à une électrocution, veillez à débrancher le cordon d'alimentation ou à couper le disjoncteur avant de remplacer une ampoule de l'éclairage intérieur ou de nettoyer l'appareil.
- Afin d'éviter toute blessure ou d'abîmer l'appareil, n'utilisez PAS d'appareils de nettoyage à la vapeur pour nettoyer l'appareil.

Nettoyez l'appareil à la main avec de l'eau tiède et une petite quantité de détergent.

N'UTILISEZ PAS d'éponges abrasives ou de tampons métalliques à récurer. **N'UTILISEZ PAS** de nettoyants concentrés. **N'UTILISEZ JAMAIS** de nettoyants abrasifs ou acides, ou de solvants chimiques.

Préservez l'aspect neuf de l'acier inoxydable en nettoyant celui-ci tous les mois avec un produit de nettoyage ou d'entretien des métaux de bonne qualité. Des produits de nettoyage ou de traitement de haute qualité sont disponibles dans le commerce.

NE NETTOYEZ PAS AVEC DES TAMPONS MÉTALLIQUES ABRASIFS OU DE LA PAILLE DE FER. N'UTILISEZ PAS des produits de nettoyage non conçus pour l'utilisation sur l'acier inoxydable, tels que les produits de nettoyage du verre, du carrelage ou des surfaces. Ces types de produits de nettoyage peuvent endommager la surface de façon permanente.

L'acier inoxydable exposé au chlore et à l'humidité peut être décoloré. Ceci est normal. Si votre appareil doit être utilisé dans un tel environnement, nettoyez et faites briller plus souvent l'acier inoxydable.

Si la surface est décolorée ou si de la rouille apparaît, nettoyez ceci rapidement avec un chiffon non abrasif, puis protégez la surface. Il faut toujours nettoyer et faire briller dans le sens du grain et de la finition.

- Les casiers, balconnets, étagères et autres composants doivent être nettoyés à la main car ils ne passent pas au lave-vaisselle.
 - Retirez toujours le balconnet supérieur (casier à beurre et fromage) avec son rabat*. Ensuite, appuyez avec précaution sur l'une des parois extérieures vers l'extérieur pour dégager la goupille de retenue du rabat. Soulevez ensuite le rabat pour le retirer. Veillez à n'endommager aucun rebord*.
 - Les étagères et balconnets peuvent être démontés pour être nettoyés. Retirez les bordures et côtés des étagères en verre.
 - Retirez le film de protection des bordures décoratives.
- Pour nettoyer les bacs à légumes, salade et fruits, tirez droit dessus, saisissez-les par l'arrière et soulevez. Pour remettre en place : placez les bacs sur les glissières en extension - les glissières doivent être alignées sur l'avant du tiroir - et glissez à l'intérieur.
- Veillez à ce que l'eau de nettoyage ne s'infilte pas dans les composants électriques et la grille de ventilation.
- Essuyez bien tous les composants avec un chiffon.



Figure 9

- Retirez la poussière de l'élément de réfrigération, de l'échangeur de chaleur et de la grille métallique à l'arrière de l'appareil au moins une fois par an.
- **N'ENDOMMAGEZ ET NE RETIREZ PAS** la plaque du modèle à l'intérieur de l'appareil. Elle est très importante en cas de réparations.

* Selon le modèle et les options

DÉGIVRAGE/NETTOYAGE

Conseils pour les périodes de vacances

Vacances courtes :

Il est inutile d'éteindre le réfrigérateur en cas d'absence inférieure à quatre semaines.

- Consommez toutes les denrées périssables.

Vacances prolongées :

En cas d'absence supérieure ou égale à un mois :

- Retirez tous les aliments du réfrigérateur.
- Éteignez le réfrigérateur.
- Nettoyez-le. Voir **Nettoyage**.
- Laissez la porte ouverte pour éviter des mauvaises odeurs. Cela empêche également la formation de moisissure.

Votre appareil est conçu et fabriqué pour durer et fonctionner de manière fiable.

Si un problème survient en cours d'utilisation, vérifiez s'il est dû à une erreur d'utilisation. Il est important de noter que même pendant la période de garantie, certains

coûts de réparation peuvent être imputés au propriétaire.

Vous serez peut être en mesure de remédier aux pannes suivantes en vérifiant vous-même les causes possibles :

Problème	Cause possible et solution
L'appareil ne fonctionne pas, l'affichage est éteint	<ul style="list-style-type: none">- L'appareil a-t-il été correctement mis en marche ?- La fiche du cordon d'alimentation est-elle correctement enfichée ?- Le disjoncteur ou le fusible est-il en bon état de fonctionnement ?
L'éclairage intérieur ne s'allume pas	<ul style="list-style-type: none">- Le compartiment réfrigérateur est-il en marche ?- La porte est-elle restée ouverte pendant plus de 15 minutes ?- L'ampoule est défectueuse. Changez l'ampoule comme indiqué à la section Éclairage intérieur.
Fonctionnement très bruyant	<ul style="list-style-type: none">- L'appareil est-il correctement posé au sol ou le compresseur fait-il vibrer des meubles ou des objets proches ? Si besoin est, déplacez légèrement l'appareil, alignez-le en ajustant les pieds réglables ou séparez les bouteilles et les boîtes.
Le moteur semble tourner pendant trop longtemps	<ul style="list-style-type: none">- La température ambiante est-elle trop élevée ? Voir Contraintes de sécurité.- L'appareil a-t-il été ouvert trop souvent ou est-il resté ouvert trop longtemps ?- Une grande quantité d'aliments frais a été placée dans l'appareil.- L'appareil est en mode SuperCool. Vérifiez que l'appareil est en mode de fonctionnement normal.
La température n'est pas assez basse	<ul style="list-style-type: none">- Le réglage de la température est-il correct ? Voir Réglage de la température.- Trop d'aliments frais ont-ils été placés dans l'appareil ?- Le thermomètre installé séparément indique-t-il la température correcte ?- La ventilation de l'appareil fonctionne-t-elle correctement ?- L'appareil est-il installé à proximité d'une source de chaleur ?

Service à la clientèle - Figure 1



Si aucune des causes suivantes ne s'applique et que vous ne pouvez pas vous-même corriger la panne, rejoignez le service clientèle le plus proche (liste d'adresses ci-jointe).

Notez le **numéro d'erreur qui s'affiche**, ainsi que le
Désignation du type (Fig. 1, 20),
Numéro de service (Fig. 1, 21) et
Numéro d'appareil (Fig. 1, 22)

qui figurent sur la plaque du modèle pour garantir un service après-vente rapide et précis. La plaque du modèle est située à l'intérieur de l'appareil du côté gauche.

Laissez l'appareil fermé jusqu'à l'arrivée du réparateur afin d'éviter des pertes de froid supplémentaires.

Informations sur l'appareil

Notez ces informations au moment de l'installation de l'appareil.

Désignation du type : _____

Numéro de service : _____

Numéro de l'appareil : _____

Date d'achat : _____

Lieu d'achat : _____

GARANTIE LIEBHERR - É.-U. SEULEMENT

GARANTIE COMPLÈTE DE DEUX ANS - Pendant deux ans à partir de la date originale de l'achat, votre garantie Liebherr couvre toutes les pièces et main d'œuvre pour réparer ou remplacer toute pièce du produit qui s'avère défectueuse, relativement aux matériaux ou à la main d'œuvre.

GARANTIE COMPLÈTE DE CINQ ANS - Pendant cinq ans à partir de la date originale de l'achat, votre garantie Liebherr couvre toutes les pièces et main d'œuvre pour réparer ou remplacer toute pièce du produit qui s'avère défectueuse, relativement aux matériaux ou à la main d'œuvre du système scellé. Le « système scellé » est uniquement constitué du compresseur, du condenseur, de l'évaporateur, du déshydrateur et de tous les tubes de branchement.

GARANTIE LIMITÉE DE LA 6^{ÈME} À LA 12^{ÈME} ANNÉE - De la 6^{ème} à la 12^{ème} année à partir de la date originale de l'achat, votre garantie Liebherr couvre toutes les pièces qui s'avèrent défectueuses, relativement aux matériaux ou à la main d'œuvre, dans le système scellé (pièces seulement).

CONDITIONS APPLICABLES À CHAQUE GARANTIE

Tous les services fournis par Liebherr dans le cadre de cette garantie doivent être exécutés par les représentants de service autorisés de Liebherr, à moins qu'autrement spécifié par Liebherr. Le service sera rendu sur place pendant les heures d'affaires normales. Cette garantie s'applique uniquement aux produits installés pour un usage privé normal. Les détails relatifs à la garantie non-privée sont disponibles sur demande.

La garantie s'applique uniquement aux produits installés dans n'importe lequel des cinquante états des États-Unis ou dans le District de Columbia. Cette garantie ne couvre ni les pièces ni la main d'œuvre nécessaires à la correction d'une défaillance causée par la négligence, un accident ou une mauvaise utilisation, entretien, installation, service ou réparation, incluant, mais sans être limité à, un retrait et une réinstallation incorrects du groupe compresseur-condenseur.

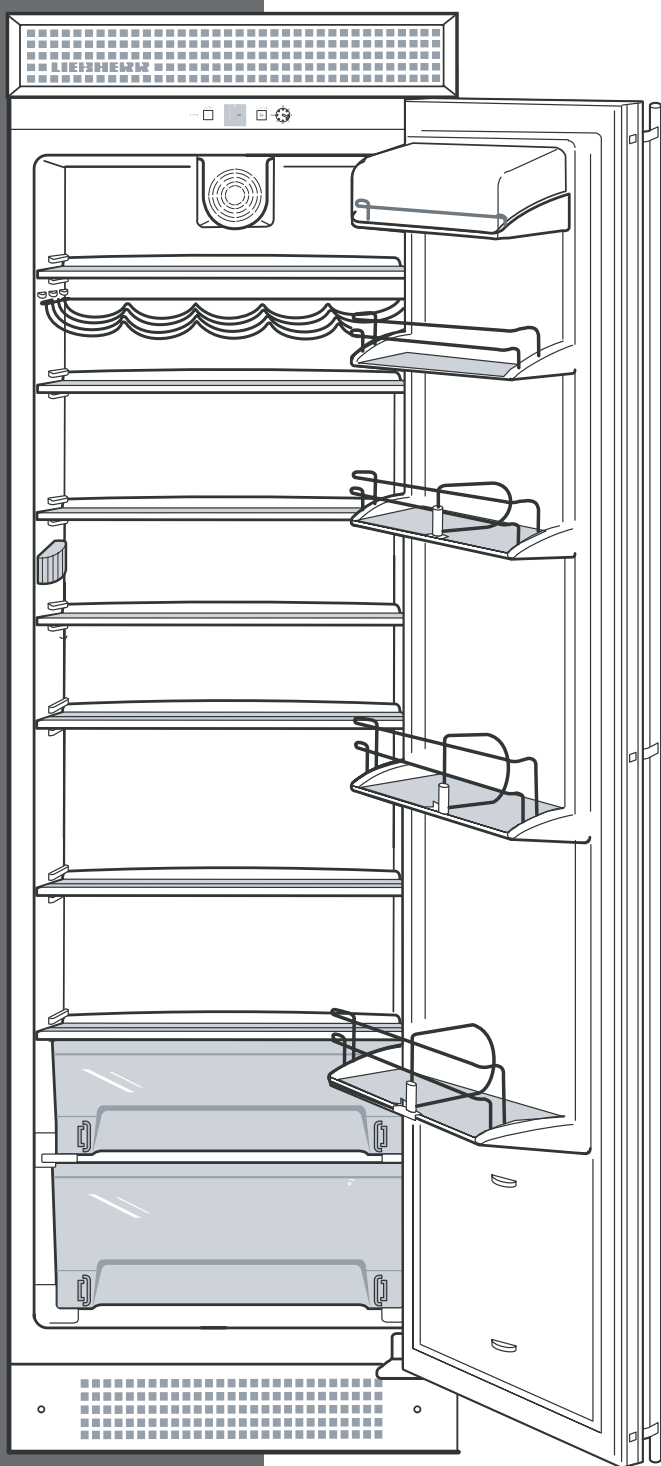
Les réparations décrites ci-dessus pour chacune des garanties sont les seules que Liebherr fournira, que ce soit en regard de ces garanties ou de toute autre garantie survenant par l'action d'une loi. Liebherr ne se tient aucunement responsable de tout dommage consécutif ou indirect pouvant survenir à cause d'une violation de ces garanties ou de toute autre garantie, qu'elle soit expresse, implicite ou réglementaire.

Certains états ne permettent pas l'exclusion ou la limitation des dommages indirects ou consécutifs ; les limitations ci-dessus peuvent par conséquent ne pas s'appliquer à votre cas. Cette garantie vous donne des droits légaux spécifiques et vous pouvez également avoir d'autres droits qui varient d'un état à l'autre.

Pour recevoir des pièces et/ou des services ainsi que le nom du représentant de service Liebherr autorisé le plus près de chez vous, contactez le concessionnaire ou le distributeur Liebherr ou contactez le fournisseur national de service de Liebherr à l'adresse Liebherr@adcoservice.com ou appelez au 1-866-LIEBHERR (866-543-2437).

REMARQUE

LIEBHERR



Manual de uso y cuidado

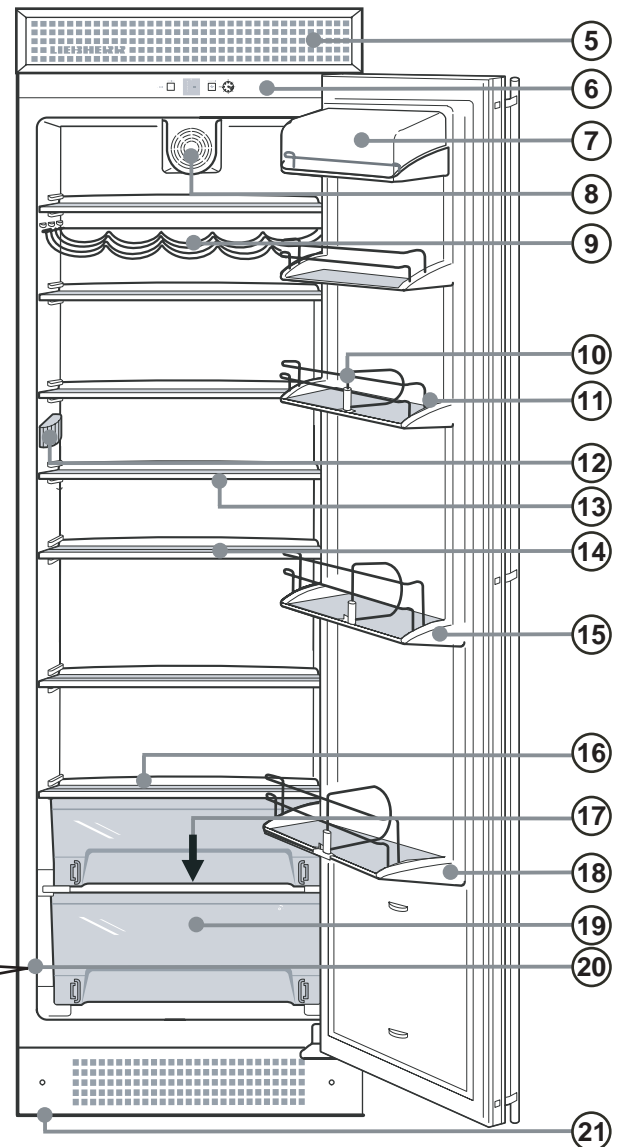
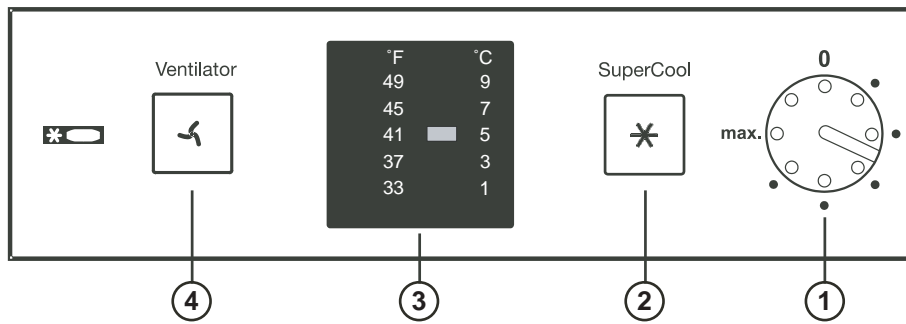
Para frigoríficos incorporados,
para uso integrado

R 1400

RI 1400

KE/es 4240 2804

7082 246-00



Placa de tipo/datos

- ② Designación de tipo
- ③ Número de servicio
- ④ Número de aparato

Figura 1

CARACTERÍSTICAS

Elementos de operación y control - *Figura 1*

Congelador

- (1) Encendido/apagado y control de temperatura
Selección 1 = tibio
Selección "máx." = frío
Selección recomendada de temperatura: 41°F (5°C)
- (2) Botón SuperCool* para enfriar rápidamente alimentos, iluminado = función activada
- (3) Pantalla de selección de temperatura
- (4) Botón de ENCENDIDO/APAGADO del ventilador* para enfriar el aire recirculado - distribución uniforme de temperatura dentro del frigorífico, iluminado = función activada

Descripción del frigorífico

- (5) Agarraderas posteriores de transporte
- (6) Elementos de mando y control*
- (7) Compartimiento para mantequilla y queso
- (8) Ventilador para enfriamiento del aire recirculado
- (9) Estante para botellas*
- (10) Portabotellas/latas ajustable*
- (11) Repisa para frascos de altura ajustable
- (12) Iluminación interior
- (13) Repisas seccionadas*
- (14) Repisas ajustables* de almacenamiento
- (15) Estante de la puerta para botellas y bebidas
- (16) Área más fría del compartimiento del frigorífico, apta para alimentos sensibles al frío y altamente perecederos
- (17) Desagüe para desescarche
- (18) Estante para botellas grandes
- (19) Depósitos para verduras, lechuga y fruta
- (20) Placa de tipo/datos
- (21) Patas de altura ajustable y agarraderas de transporte en la parte delantera, ruedas de transporte en la parte trasera

Placa del modelo

- (22) Designación de tipo
- (23) Número de servicio
- (24) Número de aparato

* Dependiendo del modelo y de las opciones

Felicitaciones por su compra. Elegir este aparato significa que usted busca todas las ventajas de la tecnología sofisticada de la refrigeración, garantía de alta calidad, una larga vida útil del aparato y excelente confiabilidad.

Las características del aparato se han diseñado para asegurar máxima conveniencia en el uso cotidiano.

Este aparato se ha fabricado con materiales reciclables utilizando un proceso ecológico, de modo que estamos haciendo una contribución activa conjunta para la preservación de nuestro medio ambiente.

Para conocer todas las ventajas de este nuevo aparato, lea minuciosamente la información contenida en estas instrucciones operativas.

Sabemos que le complacerá esta nueva unidad.

Ventajas adicionales

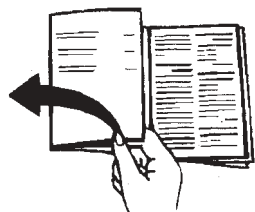
- Sin CFC
- Circuito de refrigerante con energía optimizada
- Aislamiento que utiliza la energía eficientemente
- Bajo consumo de energía

- Controles electrónicos fáciles de usar
- Pantalla de funciones encendidas
- La temperatura puede controlarse dentro de la gama de capacidad climática nominal
- El frigorífico se desescarcha automáticamente - sin necesidad de dedicar tiempo especial a hacerlo

- Gran capacidad neta del frigorífico
- Características variables y prácticas
- Repisas de almacenamiento con vidrio de seguridad
- Las repisas pueden quitarse para hacer espacio para envases grandes

- Agarraderas de transporte integradas en el alojamiento del aparato
- Ruedas de transporte en la parte trasera

- Fácil de limpiar
- Las bisagras de las puertas pueden cambiars



Antes de leer, desdoble la cara interior de la portada para ver las figuras.

Le conviene conservar el presente manual de instrucciones para poder pasarlo a un posible usuario posterior, siempre que se diera el caso.

Contenido	Página
Seguridad.....	38
Eliminación del aparato viejo	38
Información importante sobre la seguridad	38
Seguridad eléctrica	39
Advertencias generales y concernientes a la seguridad	39
Desembalaje	40
Eliminación del embalaje	40
Reglamentaciones de seguridad	40
Funcionamiento.....	41
Encendido/Apagado del aparato	41
Ajuste de temperatura.....	41
Pantalla de selección de temperatura.....	41
SuperCool.....	41
Interruptor del ventilador	42
Frigorífico.....	43
Disposición de los alimentos.....	43
Disposición de repisas	43
Cajón para verdura.....	44
Luz interior.....	44
Desescarche y limpieza	45
Desescarche.....	45
Limpieza	45
Consejos para las vacaciones	46
¿Anomalías - Problemas?	47
Servicio a clientes	48
Información sobre el aparato	48
Plan de garantía Liebherr	49

IMPORTANTE

Todos los tipos y modelos están sujetos a mejoras continuas. El fabricante se reserva el derecho de hacer modificaciones en la forma, el equipamiento y la tecnología.

SEGURIDAD

Lea y siga todas las normas de seguridad y las instrucciones de manejo antes de utilizar este aparato. Guarde estas instrucciones para futuras consultas. A lo largo del manual de instrucciones hay Instrucciones Importantes, Avisos de Precaución y Advertencias de Seguridad.

IMPORTANTE

Aquí se destaca la información que es especialmente relevante para una instalación sin problemas.



PRECAUCIÓN

Señala una situación en la cual pueden producirse lesiones menores o daños en el producto si no se siguen las instrucciones.



AVERTISSEMENT

Indica un riesgo que puede provocar lesiones graves o la muerte si no se tienen en cuenta las prescripciones de seguridad.



PELIGRO

Indica un riesgo que originará lesiones graves o la muerte si no se siguen las prescripciones de seguridad.

Eliminación del aparato viejo

Asegúrese de seguir las exigencias locales para la eliminación de aparatos domésticos. Los aparatos desechados pueden ser peligrosos.



PELIGRO

Riesgo de que los niños resulten atrapados. Antes de desechar su antiguo refrigerador o congelador:

- Asegúrese de seguir las exigencias locales para la eliminación de aparatos domésticos. Los aparatos desechados pueden ser peligrosos.
- Quite las puertas.
- Deje las repisas en su lugar de forma que los niños no puedan subirse al interior.
- Corte los bornes de la clavija del cable de alimentación y deséchelos.
- Corte el cable de alimentación del frigorífico desechado. Elimínelo por separado del frigorífico.

Siguiendo estas instrucciones se reduce la posibilidad de causar lesiones físicas, especialmente a niños que estén jugando.

Para obtener más información, póngase en contacto con la oficina de recolección de basura en su zona.

Información importante sobre la seguridad

Este aparato está destinado solamente al uso doméstico. Utilice el aparato solamente para el uso previsto, el almacenamiento de productos alimenticios. Siga las precauciones y advertencias de seguridad de este manual de instrucciones, incluyendo las siguientes:

- A fin de evitar daños personales y materiales, el aparato deberá transportarse sin quitar el embalaje y deberán colocarlo dos personas.
- En el caso de detectar daños en un aparato, deberá consultarse inmediatamente con el distribuidor antes de proceder a su conexión.
- Para garantizar el funcionamiento seguro del aparato, proceda a su montaje y conexión sólo de acuerdo con las respectivas indicaciones de estas "Instrucciones de manejo".
- En caso de anomalía, desconecte el aparato de la red eléctrica desenchufando el cable. Extraiga el enchufe, apague o desactive el fusible.
- Al desconectar el aparato, use el enchufe. No tire del cable.
- Cualquier trabajo de reparación o mantenimiento deberá realizarlo exclusivamente el personal autorizado del servicio a clientes. De lo contrario podrían originarse riesgos considerables para el usuario. Si se cambia el cable de la fuente de alimentación debe hacerlo solamente el departamento de servicio a clientes.
- No consuma los alimentos pasados de la fecha de caducidad; podría presentar riesgo de intoxicación.
- El aparato está diseñado para enfriar y guardar alimentos. Se ha concebido para su utilización en los hogares. Siempre que se use para fines industriales han de tenerse en cuenta las correspondientes prescripciones vigentes.
- El aparato no sirve para almacenar materias explosivas o envases a presión con propulsores inflamables (como butano, propano, pentano o similares). Los componentes eléctricos podrían causar inflamación de las fugas de gas. Se pueden identificar estos aerosoles por el contenido impreso o un símbolo de llamas en la etiqueta.
- No utilice aparatos eléctricos en el interior del aparato.

- No permita que los niños jueguen con el aparato. Los niños no deben subirse, sentarse ni situarse en las repisas, los cajones o la puerta.
- Para prevenir posibles lesiones debidas a una electrocución, asegúrese de desconectar el cable de alimentación o de apagar el disyuntor antes de sustituir la iluminación interior o de limpiar el aparato.
- Para prevenir posibles lesiones debidas a cristales rotos, use algún tipo de protección en las manos cuando sustituya la iluminación interior.
- Para prevenir posibles lesiones o daños al aparato, no utilice aparatos de limpieza a vapor para limpiar el aparato.
- No haga funcionar el aparato en presencia de vapores explosivos.
- En caso de un corte de electricidad, reduzca al mínimo la apertura de la(s) puerta(s) del frigorífico. Proteja los alimentos colocando hielo seco encima de los paquetes o usando un almacén local de alimentos congelados si el corte de suministro es de larga duración. No intente congelar de nuevo los alimentos que se hayan descongelado.
- Para evitar posibles heridas, ajuste las repisas sólo cuando estén vacías. No intente ajustar una repisa con alimentos encima.
- Para proteger el frigorífico de posibles daños, deje el aparato en reposo de 1/2 a 1 hora antes de ponerlo en marcha. Esto permite que el refrigerante y la lubricación del sistema lleguen a un equilibrio.
- No use un adaptador de dos bornes. Si tiene una toma de corriente de dos bornes en la pared, póngase en contacto con un electricista competente y haga que se lo cambien por una toma de tres bornes de acuerdo con los reglamentos y las ordenanzas locales.
- No use un cable de alimentación que esté raído o dañado.

Advertencias generales y concernientes a la seguridad



PRECAUCIÓN

A fin de evitar lesiones personales y daños materiales, haga que dos personas desembalen y trasladen este aparato a su lugar.



PRECAUCIÓN

Proteja la superficie de acabado del suelo antes de desembalar el aparato.

Hay que evitar la colocación del aparato al lado de una ventana, donde le llegue directamente el calor solar, o junto al horno, la estufa, la calefacción u otras fuentes de calor. Encima del aparato NO deberán colocarse los electrodomésticos que emiten calor (tostadores, hornos microondas y similares).

El piso debajo del aparato ha de estar plano y nivelado.

Mantenga el aparato fuera de la intemperie. No deben obstruirse las rejillas de ventilación. Siempre compruebe que haya buena ventilación alrededor del aparato.

En cuanto haya desembalado el aparato:

- Examine el aparato y el embalaje por si han sufrido daños en el transporte. Póngase en contacto inmediatamente con el transportista si sospecha que hay algún daño.
- Anote el tipo (número del modelo), índice, número de serie, fecha de compra y lugar de compra en los espacios previstos en la contratapa de este manual.

Seguridad eléctrica

Conecte este aparato a un circuito de 110-120 V c.a. apto para 15 amperios (20 amperios en caso de una instalación lado a lado) y controlado por un disyuntor o un fusible. Este aparato debe tener su propio circuito separado con puesta a tierra. No utilice cables de extensión.

El cable de alimentación está equipado con una clavija de tres bornes (con toma de tierra) para protegerle contra el posible peligro de electrocución. Para mantener esta protección:

- No modifique la clavija eliminando el borne redondo de puesta a tierra.

DESEMBALAJE

Eliminación del embalaje

El embalaje protector del aparato y de elementos sueltos se ha fabricado con materiales reciclables.

- Cartón corrugado/liso
- Piezas moldeadas de poliestireno (en forma de espuma, exento de CFC)
- Láminas y bolsas de polietileno
- Tiras de polipropileno



AVERTISSEMENT

Los materiales de embalaje no son juguetes para los niños. ¡Existe el peligro de asfixia con láminas o bolsas de plástico!

- Por consiguiente deberá entregarse para reciclaje en un punto de recogida específica.

IMPORTANTE

Las tapas de tornillos están pegadas con cinta a la puerta del aparato para el transporte. Tenga cuidado al quitarlas. Si se invierte el sentido de las bisagras o si se cambian los tiradores de las puertas, debe pedir el Juego Inverso. Póngase en contacto con su distribuidor Liebherr. El Juego Inverso no va incluido con el aparato. Deben instalarse los tiradores de las puertas antes de instalar las tapas de los tornillos. En el caso de no instalar los tiradores antes que las tapas de los tornillos, pueden estropearse las tapas.

Reglamentaciones de seguridad

El aparato cumple con la norma UL250 y está diseñado para enfriar y guardar alimentos. Se ha concebido para su utilización en los hogares. Siempre que se use para fines industriales han de tenerse en cuenta las correspondientes prescripciones vigentes.

El aparato está preparado para funcionar dentro de límites específicos de temperatura ambiente según su capacidad climática nominal. No deben superarse estos límites de temperatura. La capacidad climática nominal correspondiente a su aparato figura en la placa del modelo.

La explicación es la siguiente:

Tipo climático	Temperaturas ambiente
SN	50°F a 90°F (10°C a 32°C)
N	61°F a 90°F (16°C a 32°C)
ST	65°F a 100°F (18°C a 38°C)
T	65°F a 109°F (18°C a 43°C)

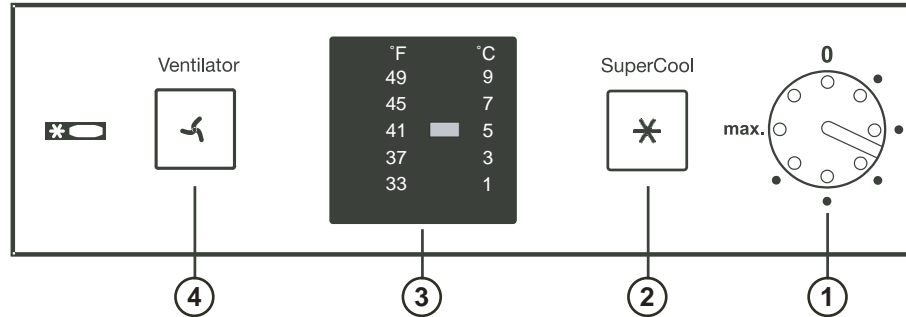
- La estanqueidad del circuito de frío ha sido sometida a prueba.
- El aparato cumple con las prescripciones de seguridad específicas y las directivas 73/23/CEE y 89/336/CEE de la CE.

Recomendamos limpiar el aparato antes de encenderlo por primera vez. Consulte el capítulo **Limpieza**. El aparato deberá conectarse algunas horas antes de proceder a la primera introducción de alimentos.



AVERTISSEMENT

No permita que los niños jueguen con el aparato. Los niños no deben subirse, sentarse ni situarse en las repisas, los cajones o la puerta.



(De la Figura 1)

Encendido y apagado del aparato - Figura 1

- **Para ENCENDER la unidad:** Gire el control de temperatura ① con una moneda para que la ranura apunte a la selección 2.
 - Aparecerá una luz verde en la pantalla de temperatura indicando que el aparato esté en modo normal.
 - Se encenderá la luz interior.
- **Para APAGAR la unidad:** Fije el control de temperatura en "0".
 - Se apagarán la pantalla de temperatura y todos los botones.
 - Se apagará la luz interior.

Ajuste de temperatura

- Gire el control de temperatura ① con una moneda hasta que se indique la temperatura deseada en la pantalla. Las posiciones de la ranura significan:
 - Selección 1 = temperatura más alta,**
selección de frío más baja
 - Selección "máx." = temperatura más baja,**
selección de frío más alta
- Selección recomendada de temperatura: 41°F (5°C).

Nótese que la temperatura dentro de la unidad dependerá de dónde la ponga, la temperatura ambiente, la frecuencia con que abra la puerta y lo que ponga en el interior. Si es necesario, reajuste el control de temperatura.

Pantalla de selección de temperatura

- Cuando se ilumine la pantalla de temperatura ③, esto indica que está funcionando la unidad.
- Cada uno de los cinco bloques de la pantalla se relacionan con una gama de temperatura diferente. Indican la selección de temperatura del frigorífico que ha seleccionado.

SuperCool*

El botón SuperCool ② coloca al aparato en frío máximo. Esto le permite lograr temperaturas de refrigeración temporalmente más bajas. Se recomienda especialmente para enfriar una mayor cantidad de alimentos, bebidas, repostería o comida recién hecha lo más rápidamente posible.

- **Para ENCENDER la unidad:** Pulse el botón SuperCool ② brevemente para que se ilumine.
 - La temperatura de refrigeración baja hasta alcanzar su valor mínimo.
- **Para APAGAR la unidad:** Pulse el botón SuperCool nuevamente para que se apague.
 - La función SuperCool requiere un poco más de consumo energético. Pero después de unas 6 horas, el aparato cambia automáticamente al funcionamiento normal de ahorro energético.

* Dependiendo del modelo y de las

FUNCIONAMIENTO

Interruptor del ventilador*

para enfriamiento de aire re-circulado ④:

Puede usar el interruptor del ventilador para:

- enfriar grandes cantidades de alimentos frescos rápidamente;
- mantener la temperatura distribuida uniformemente dentro de todo el compartimiento del frigorífico. El aire circulará más intensamente, manteniendo así todas las áreas diferentes en el aparato a la misma temperatura y asegurando que todos los alimentos que contenga se enfríen a la misma temperatura.

- Se le recomienda siempre usar el interruptor del ventilador:
 - si hay temperatura ambiente alta (aproximadamente 95°F / 35°C o mayor) o
 - si la humedad del aire es alta, p. ej. durante el verano.
- **Para ENCENDER la unidad:** Pulse el botón del ventilador ④ brevemente para que se ilumine.
- **Para APAGAR la unidad:** Pulse el botón del ventilador nuevamente para que se apague.
 - Para ahorrar energía, se apagará el ventilador automáticamente al abrir la puerta.

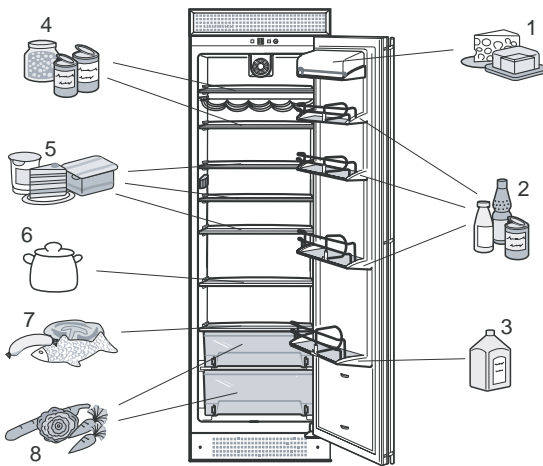
Disposición de los alimentos -

Figura 2

La circulación natural del aire dentro del frigorífico hace que distintas partes del mismo tengan diferentes temperaturas. Esto puede tener ventajas para distintos tipos de comida. El frigorífico es más frío justo sobre los depósitos de verduras y contra la pared posterior (apto para productos de carnes y salchichas, etc.); es menos frío en la parte de arriba y en la puerta (apto para mantequilla, queso, etc.). Consulte la Fig. 2 para ver sugerencias para almacenar alimentos.

Notas sobre el enfriamiento

- Guarde los alimentos de tal modo que pueda circular aire correctamente alrededor. No llene demasiado el frigorífico. *No cubra las ranuras* del ventilador en la parte posterior, ¡de lo contrario se perjudicará la capacidad de refrigeración!*



- (1) Mantequilla, queso, comidas pre-cocinadas
- (2) Latas, bebidas, botellas
- (3) Botellas grandes
- (4) Conservas, productos horneados
- (5) Productos lácteos
- (6) Platos precocinados
- (7) Productos de carne y salchichas, pescado
- (8) Fruta, verdura, lechuga

Figura 2

IMPORTANTE

- Guarde en recipientes tapados los líquidos y alimentos que desprenden o absorben olores y sabores.
- Almacene el alcohol de muchos grados tan sólo herméticamente cerrado y en posición vertical.
- Fruta, verdura y lechuga pueden almacenarse en el cajón sin embalaje.

AVERTISSEMENT

Limite la carga de productos guardados en la puerta a 50 lb (22,6 kg).

Disposición de repisas

AVERTISSEMENT

Para evitar posibles heridas, ajuste las repisas sólo cuando estén vacías. No intente ajustar una repisa con alimentos encima.

Puede regularse la altura de las repisas y de los estantes de la puerta según conveniencia.

IMPORTANTE

El estante botellero se puede instalar en cualquier sitio, excepto en los soportes inferiores. La repisa inferior de vidrio es más corta que las demás para que se pueda cerrar la puerta cuando se utiliza el estante para botellas grandes de la puerta. **NO** utilice ninguna de las otras repisas en los soportes inferiores. El estante botellero se apoya sobre los soportes de la repisa de vidrio.

Modificación de los estantes de la puerta - Figura 3

Levante el estante de su posición, extráigalo hacia adelante y vuelva a colocarlo a la inversa.

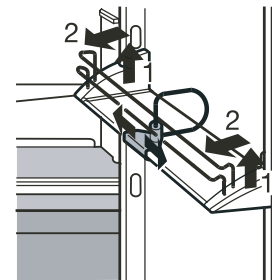


Figura 3

Ajuste el soporte de botellas

Puede impedir que las botellas se vuelquen al abrir o cerrar la puerta. Siempre sostenga el soporte por la pieza de sujeción de plástico.

Modificación de las repisas - Figura 4

Levante la repisa, deslícela hacia delante y sáquela. Vuelva a introducir las repisas con el borde posterior levantado mirando hacia arriba, de lo contrario los alimentos pueden congelarse y adherirse a la pared del fondo.

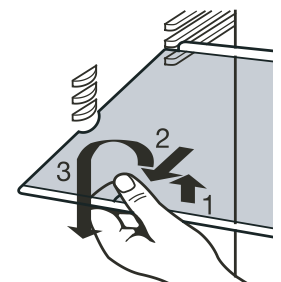


Figura 4

Debe insertarse la repisa angosta (6) para igualar la ubicación de la repisa para botellas grandes.

FRIGORÍFICO

Si necesita más espacio para envases altos - Figura 5

Levante ligeramente la mitad delantera de la repisa de vidrio divisible y deslícela con cuidado debajo de la mitad trasera, hasta que se enclaven los topes de extracción en los huecos de los soportes.

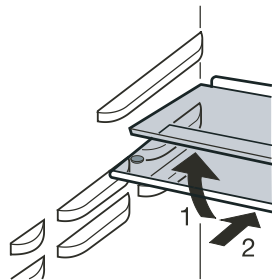


Figura 5

Cajón para verdura - Figura 6

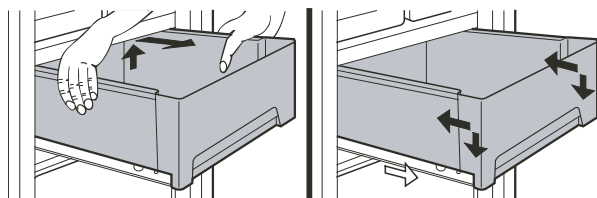


Figura 6

Extracción del cajón para verdura:

Extraiga el cajón derecho hacia afuera, tomándolo de la parte posterior y levantándolo.

Colocación del cajón para verdura:

Ponga el cajón en los carriles. Los carriles deben estar totalmente extendidos y alineados con la parte delantera del cajón. Deslice el cajón hacia adentro.

Luz interior - Figura 7

La iluminación interior se apaga automáticamente, cuando la puerta permanece abierta aprox. 15 minutos. Si no se encendiera al abrir la puerta brevemente, pero si la indicación de temperatura estuviera encendida, se trata de una(s) bombilla(s) defectuosa(s).

Características de la bombilla:

120 V, vatiaje máximo - 25 W
Ajuste de la bombilla - E14

El tipo de corriente eléctrica y el voltaje deberán coincidir con lo indicado en la placa del modelo.

Sustitución de la bombilla:

AVERTISSEMENT



Para prevenir posibles lesiones debido a una electrocución, asegúrese de desconectar el cable de alimentación o de apagar el disyuntor antes de sustituir la(s) bombilla(s) de la iluminación interior o de limpiar el aparato.

PRECAUCIÓN

Para prevenir posibles lesiones debido a cristales rotos, use algún tipo de protección en las manos cuando sustituya la(s) bombilla(s) de la iluminación interior.

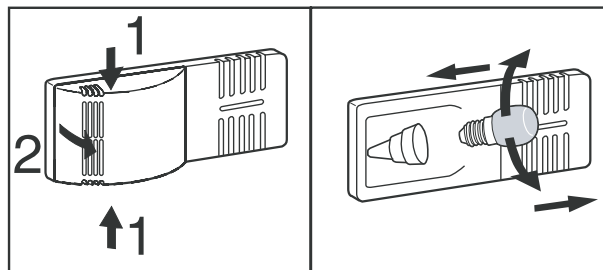


Figura 7

- Presione la cubierta de la luz en los lados (1), levántela y desengánchela (2).
- Cambie la bombilla.
- Inserte el tope posterior de la cubierta y enganche los costados en su sitio.

DESESCARCHE Y LIMPIEZA

Desescarche

El compartimiento frigorífico está equipado con un sistema de desescarche automático. La humedad que se forma en la pared de fondo se llevará por un sistema evacuador a un recipiente, donde se evapora automáticamente debido al calor generado por el compresor.

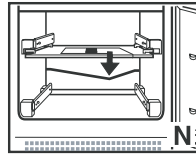


Figura 8

Tan sólo deberá procurar que el agua de desescarche pueda evacuar a través del orificio de desagüe que se encuentra en la pared de fondo (**Figura 8**).

Limpieza - Figura 9

⚠ AVERTISSEMENT



- Para prevenir posibles lesiones debido a una electrocución, asegúrese de desconectar el cable de alimentación o de APAGAR el disyuntor antes de sustituir la(s) bombilla(s) de la iluminación interior o de limpiar el aparato.
- Para evitar lesiones o daños, NO use equipo de limpieza a vapor para limpiar el aparato.

Limpie a mano el aparato con un poco de detergente disuelto en agua templada.

NO use abrasivos ni esponjas ásperas. **NO** use agentes concentrados de limpieza. **NUNCA** use abrasivos ni limpiadores ácidos o solventes químicos.

Mantenga la apariencia nueva del acero inoxidable limpiándolo con un producto de limpieza o lustrador de buena calidad una vez al mes. Los productos de limpieza y acondicionadores de alta calidad para acero inoxidable están a la venta en el comercio.

NO LIMPIE CON ESPONJAS DE ACERO NI ABRASIVAS. NO use limpiadores que no sean para usarse en acero inoxidable, como limpiavidrios, productos para azulejos o mostradores. Estos tipos de limpiadores pueden dañar la superficie permanentemente.

El acero inoxidable que se exponga a gas de cloro y humedad puede sufrir decoloración. Esta decoloración es normal. Si su unidad se usa en un entorno bajo estas condiciones, limpie y lustre el acero inoxidable con más frecuencia.

Si la superficie se decolora u oxida, límpiela rápidamente con un paño no abrasivo y protéjala. Siempre limpie y lustre en la dirección de la veta y la terminación.

- Las repisas, estantes y demás componentes deben limpiarse a mano porque no son aptos para lavadora de vajilla.
 - Siempre quite es estante superior de la puerta (compartimiento de mantequilla y queso) junto con la aleta*. Luego presione una de las paredes laterales con cuidado para afuera con el fin de liberar el pasador de la aleta. Entonces puede levantarse la aleta para extraerla. Revise que no se dañen los bujes*.
 - Pueden desmantelarse las repisas y estantes de la puerta para limpiarlos. Retire los bordes y lados de las repisas de vidrio.
 - Quite la película protectora de los bordes decorativos.
- Para limpiar los cajones de verduras, lechuga y fruta, extráigalos directamente agarrando por atrás y levantando. Para reinsertarlos: ponga los cajones en los carriles extendidos - los carriles deben alinearse con la parte delantera del cajón - y deslícelos hacia adentro.
- Hay que procurar que el agua de limpieza no penetre en la rejilla de ventilación ni en los componentes eléctricos.
- Seque bien todas las piezas con un paño.



Figura 9

- Quite el polvo de la unidad del frigorífico y del intercambiador de calor y la rejilla metálica en la parte posterior del aparato. Esto debe hacerse al menos una vez al año.
- **NO** dañe ni quite la placa del modelo en el interior del aparato. Es de suma importancia para el servicio técnico.

* Dependiendo del modelo y de las

DESESCARCHE Y LIMPIEZA

Consejos para las vacaciones

Vacaciones cortas:

No es necesario apagar el frigorífico si va a estar fuera menos de cuatro semanas.

- Use todos los productos perecederos.

Vacaciones largas:

Si va a estar fuera de casa durante un mes o más:

- Retire todos los alimentos del frigorífico.
- Apague el frigorífico.
- Limpie el aparato. Consulte el capítulo **Limpieza**.
- Deje la puerta abierta para evitar que se produzcan olores desagradables. Esto también impedirá que se acumule moho.

ANOMALÍAS - PROBLEMAS?

Este aparato está construido para una larga duración de vida con la correspondiente seguridad funcional.

Si hubiera un problema durante el funcionamiento, revise si se debe a error operativo. Nótese que incluso durante el período de garantía, algunos costos de

reparación pueden ser de su responsabilidad.

Las anomalías descritas a continuación las podrá solucionar el usuario mismo, comprobando las posibles causas:

Anomalía	Posible causa y solución
El aparato no funciona, la pantalla está APAGADA	<ul style="list-style-type: none">- ¿Está el aparato encendido correctamente?- ¿Ajusta bien la clavija del enchufe?- ¿Está el disyuntor o el fusible en perfectas condiciones?
La luz interior no se ENCIENDE	<ul style="list-style-type: none">- ¿Está conectado el compartimiento del frigorífico?- ¿Ha permanecido la puerta abierta más de 15 minutos?- La bombilla está defectuosa. Cámbiela siguiendo las instrucciones del capítulo Iluminación interior.
Ruido fuerte al funcionar	<ul style="list-style-type: none">- ¿Se halla el aparato firmemente emplazado en el suelo o se transmiten vibraciones a los muebles/electrodomésticos colindantes? Si es necesario, mueva un poco el aparato, alinéelo ajustando las patas regulables o separe las botellas y envases entre sí.
El motor parece funcionar demasiado tiempo	<ul style="list-style-type: none">- ¿Es demasiado alta la temperatura ambiente? Consulte el capítulo Reglamentaciones de seguridad.- ¿Se ha abierto el aparato con demasiada frecuencia o durante mucho tiempo?- Se ha agregado una gran cantidad de alimentos.- El aparato está en modo SuperCool. Revise que esté en el modo normal de funcionamiento.
La temperatura no es suficientemente baja	<ul style="list-style-type: none">- ¿Se ha seleccionado la temperatura adecuada? Consulte el capítulo Ajuste de temperatura.- ¿Se han introducido excesivas cantidades de alimentos frescos?- ¿Indica el termómetro complementario colocado en el aparato el valor correcto?- ¿Es suficiente la entrada y salida de aire de ventilación?- ¿Está el lugar de emplazamiento demasiado cerca de una fuente de calor?

Servicio a clientes - Figura 1



Si no corresponde ninguna de las causas anteriores y no puede corregir la anomalía usted mismo, póngase en contacto con el departamento de servicio a clientes más cercano (vea la lista adjunta para averiguar las direcciones).

Indique el **número de falla señalado**, junto con el **Designación de tipo (Fig. 1, 20)**, **Número de servicio (Fig. 1, 21)** y **Número de aparato (Fig. 1, 22)**

como aparece en la placa del modelo, para asegurar servicio rápido y preciso. La placa del modelo está ubicada dentro del aparato en el lado izquierdo.

Deje cerrado el aparato hasta que llegue el técnico de servicio a clientes para evitar más pérdida de frío.

Informaciones sobre el aparato

Apunte estos datos al terminar la instalación del aparato.

Designación de tipo: _____

Número de servicio: _____

Número de aparato: _____

Fecha de compra: _____

Lugar de compra: _____

PLAN DE GARANTÍA LIEBHERR - SÓLO PARA ESTADOS UNIDOS

GARANTÍA TOTAL DE DOS AÑOS - Durante dos años a partir de la fecha original de compra, su garantía Liebherr cubre todas las piezas y mano de obra para reparar o sustituir cualquier parte del producto defectuosa en materiales o fabricación.

GARANTÍA TOTAL DE CINCO AÑOS - Durante cinco años a partir de la fecha original de compra, su garantía Liebherr cubre todas las piezas y mano de obra para reparar o sustituir cualquier componente del producto defectuoso en materiales o fabricación, del sistema hermético. El "Sistema Hermético" se refiere sólo al compresor, condensador, evaporador, secador y todas las tuberías de conexión.

GARANTÍA LIMITADA DESDE EL SEXTO AL DOCEAVO AÑO - Desde el sexto al doceavo año a partir de la fecha original de compra, su garantía Liebherr cubre todas las piezas defectuosas en materiales o fabricación, del sistema hermético (sólo piezas).

CONDICIONES APLICABLES A TODAS LAS GARANTÍAS

Todos los servicios proporcionados por Liebherr bajo la garantía deben ser efectuados por representantes autorizados de Liebherr, a menos que Liebherr lo especifique de otro modo. El servicio será efectuado en el hogar durante las horas comerciales normales. Esta garantía sólo es aplicable para los productos instalados para uso doméstico normal. Los detalles sobre las garantías no residenciales están disponibles a su petición.

Esta garantía es aplicable sólo a los productos instalados en cualquiera de los cincuenta estados de Estados Unidos o en el Distrito de Columbia. Esta garantía no cubre piezas ni mano de obra para corregir defectos causados por negligencia, accidente o uso, mantenimiento, instalación, servicio o reparación indebidos, incluido aunque no limitado al traslado y reinstalación inadecuados de la unidad de condensación.

Las medidas correctivas arriba descritas para las garantías son las únicas que proporcionará Liebherr, tanto bajo estas garantías como bajo cualquier otra derivada de la aplicación de la ley. Liebherr no será responsable de ningún daño imprevisto o consecuencial derivado del incumplimiento de estas garantías o de cualquier otra, sea expresa, implícita o legal.

Algunos estados no permiten excluir ni limitar daños imprevistos o consecuenciales, de tal modo que la anterior limitación o exclusión puede no ser aplicable para usted. Esta garantía le otorga derechos legales específicos y usted puede tener además otros derechos que varían de estado a estado.

Para recibir piezas y/o servicio y el nombre del representante autorizado de Liebherr más próximo a usted, póngase en contacto con su distribuidor Liebherr o con el proveedor de servicio nacional Liebherr designado en: Liebherr@adcoservice.com o llame al 1-866-LIEBHERR o al 866-543-2437.

NOTAS

For Service in the U.S.:

Liebherr Service Center

15545 N. 77th Street
Scottsdale, AZ 85260
Phone: (480) 998-0141
Fax: (480) 998-7877

Toll Free: **1-866-LIEBHERR** or
1-866-543-2437

E-mail: Liebherr@adcoservice.com

For Service in Canada:

EURO-LINE APPLIANCES

2150 Winston Park Drive - Unit 20
Oakville, Ontario, L6H 5V1
Phone: (905) 829-3980
Fax: (905) 829-3985

Toll Free: **1-800-678-8352**

www.liebherr.com